

**1260 VXI
SWITCHING CARD**

**1260-50C/D
200MHz
MULTIPLEXER MODULE**

PUBLICATION NO. 980673-028

Astronics Test Systems Inc.

4 Goodyear, Irvine, CA 92618

Tel: (800) 722-2528, (949) 859-8999; Fax: (949) 859-7139

atsinfo@astronics.com atssales@astronics.com
atshelpdesk@astronics.com <http://www.astronicstestsystems.com>

**THANK YOU FOR PURCHASING THIS
ASTRONICS TEST SYSTEMS PRODUCT**

For this product, or any other Astronics Test Systems product that incorporates software drivers, you may access our web site to verify and/or download the latest driver versions. The web address for driver downloads is:

<http://www.astronicstestsystems.com/support/downloads>

If you have any questions about software driver downloads or our privacy policy, please contact us at:

atsinfo@astronics.com

WARRANTY STATEMENT

All Astronics Test Systems products are designed to exacting standards and manufactured in full compliance to our AS9100 Quality Management System processes.

This warranty does not apply to defects resulting from any modification(s) of any product or part without Astronics Test Systems express written consent, or misuse of any product or part. The warranty also does not apply to fuses, software, non-rechargeable batteries, damage from battery leakage, or problems arising from normal wear, such as mechanical relay life, or failure to follow instructions.

This warranty is in lieu of all other warranties, expressed or implied, including any implied warranty of merchantability or fitness for a particular use. The remedies provided herein are buyer's sole and exclusive remedies.

For the specific terms of your standard warranty, contact Customer Support. Please have the following information available to facilitate service.

1. Product serial number
2. Product model number
3. Your company and contact information

You may contact Customer Support by:

E-Mail:	atshelpdesk@astronics.com	
Telephone:	+1 800 722 3262	(USA)
Fax:	+1 949 859 7139	(USA)

RETURN OF PRODUCT

Authorization is required from Astronics Test Systems before you send us your product or sub-assembly for service or calibration. Call or contact Customer Support at 1-800-722-3262 or 1-949-859-8999 or via fax at 1-949-859-7139. We can also be reached at: atshelpdesk@astronics.com.

If the original packing material is unavailable, ship the product or sub-assembly in an ESD shielding bag and use appropriate packing materials to surround and protect the product.

PROPRIETARY NOTICE

This document and the technical data herein disclosed, are proprietary to Astronics Test Systems, and shall not, without express written permission of Astronics Test Systems, be used in whole or in part to solicit quotations from a competitive source or used for manufacture by anyone other than Astronics Test Systems. The information herein has been developed at private expense, and may only be used for operation and maintenance reference purposes or for purposes of engineering evaluation and incorporation into technical specifications and other documents which specify procurement of products from Astronics Test Systems.

TRADEMARKS AND SERVICE MARKS

All trademarks and service marks used in this document are the property of their respective owners.

- Racal Instruments, Talon Instruments, Trig-Tek, ActivATE, Adapt-A-Switch, N-GEN, and PAWS are trademarks of Astronics Test Systems in the United States.

DISCLAIMER

Buyer acknowledges and agrees that it is responsible for the operation of the goods purchased and should ensure that they are used properly and in accordance with this document and any other instructions provided by Seller. Astronics Test Systems products are not specifically designed, manufactured or intended to be used as parts, assemblies or components in planning, construction, maintenance or operation of a nuclear facility, or in life support or safety critical applications in which the failure of the Astronics Test Systems product could create a situation where personal injury or death could occur. Should Buyer purchase Astronics Test Systems product for such unintended application, Buyer shall indemnify and hold Astronics Test Systems, its officers, employees, subsidiaries, affiliates and distributors harmless against all claims arising out of a claim for personal injury or death associated with such unintended use.

FOR YOUR SAFETY

Before undertaking any troubleshooting, maintenance or exploratory procedure, read carefully the **WARNINGS** and **CAUTION** notices.

This equipment contains voltage hazardous to human life and safety, and is capable of inflicting personal injury.

If this instrument is to be powered from the AC line (mains) through an autotransformer, ensure the common connector is connected to the neutral (earth pole) of the power supply.

Before operating the unit, ensure the conductor (green wire) is connected to the ground (earth) conductor of the power outlet. Do not use a two-conductor extension cord or a three-prong/two-prong adapter. This will defeat the protective feature of the third conductor in the power cord.

Maintenance and calibration procedures sometimes call for operation of the unit with power applied and protective covers removed. Read the procedures and heed warnings to avoid "live" circuit points.

Before operating this instrument:

1. Ensure the instrument is configured to operate on the voltage at the power source. See Installation Section.
2. Ensure the proper fuse is in place for the power source to operate.
3. Ensure all other devices connected to or in proximity to this instrument are properly grounded or connected to the protective third-wire earth ground.

If the instrument:

- fails to operate satisfactorily
- shows visible damage
- has been stored under unfavorable conditions
- has sustained stress

Do not operate until performance is checked by qualified personnel.

EC Declaration of Conformity

We

Astronics Test Systems
4 Goodyear
Irvine, CA 92618

declare under sole responsibility that the

1260-50C 200 MHz Multiplexer Module, P/N 407366-001
1260-50D 200 MHz Multiplexer Module, P/N 407366-002

They conform to the following Product Specifications:

Safety: EN61010-1:1993+A2:1995

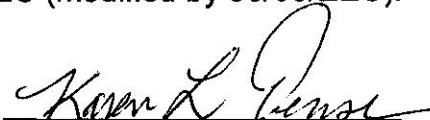
EMC: EN61326:1997+A1:1998

Supplementary Information:

The above specifications are met when the product is installed in an Astronics Test systems certified mainframe with faceplates installed over all unused slots, as applicable

The product herewith complies with the requirements of the Low Voltage Directive 73/23/EEC and the EMC Directive 89/336/EEC (modified by 93/68/EEC).

Irvine, CA, May 10, 2002


Engineering Director

This page was left intentionally blank.

Table of Contents

Chapter 1	
INTRODUCTION	1-1
1260-50C/D 200MHz Multiplexer Module	1-1
Specifications	1-3
Ordering Information	1-6
Chapter 2	
INSTALLATION INSTRUCTIONS.....	2-1
Unpacking and Inspection	2-1
Reshipment Instructions	2-1
Option 01 Installation.....	2-1
Module Installation.....	2-2
Chapter 3	
MODULE SPECIFIC SYNTAX	3-1
1260-50C/D Module Specific Syntax	3-1
Syntax.....	3-1
OPEN.....	3-1
CLOSE.....	3-2
PSETUP.....	3-2
PDATAOUT.....	3-2
Chapter 4	
DRAWINGS.....	4-1
Chapter 5	
PARTS LIST	5-1
Chapter 6	
OPTIONAL HARNESS ASSEMBLIES	6-1

This page was left intentionally blank.

List of Figures

Figure 1-1, 1260-50C/D	1-1
Figure 1-2, 1260-50C/D Functional Diagram.....	1-2
Figure 1-3, 1260-50C/D Front Panel and J200-J203 Connector Pin Configuration	1-5

DOCUMENT CHANGE HISTORY

Revision	Date	Description of Change
	2/18/2003	Publication
A	5/27/2014	Initial Release

Chapter 1

INTRODUCTION

1260-50C/D 200MHz Multiplexer Module

The 1260-50C/D provides eight/sixteen 1 x 4 multiplexers (refer to the Functional Diagram Figure 1-2). Relays CHI9, 29,..., 159 provide for the connections between the adjacent 1 x 4 groups under software control. Thus, the 1260-50C/D module can be configured as multiplexers up to 1 x 39/1 x 79 size. The 200 MHz bandwidth is guaranteed for all possible multiplexer sizes. The only restriction is the groups not needed for a connection between any two channels have to be disconnected to achieve 200 MHz bandwidth.

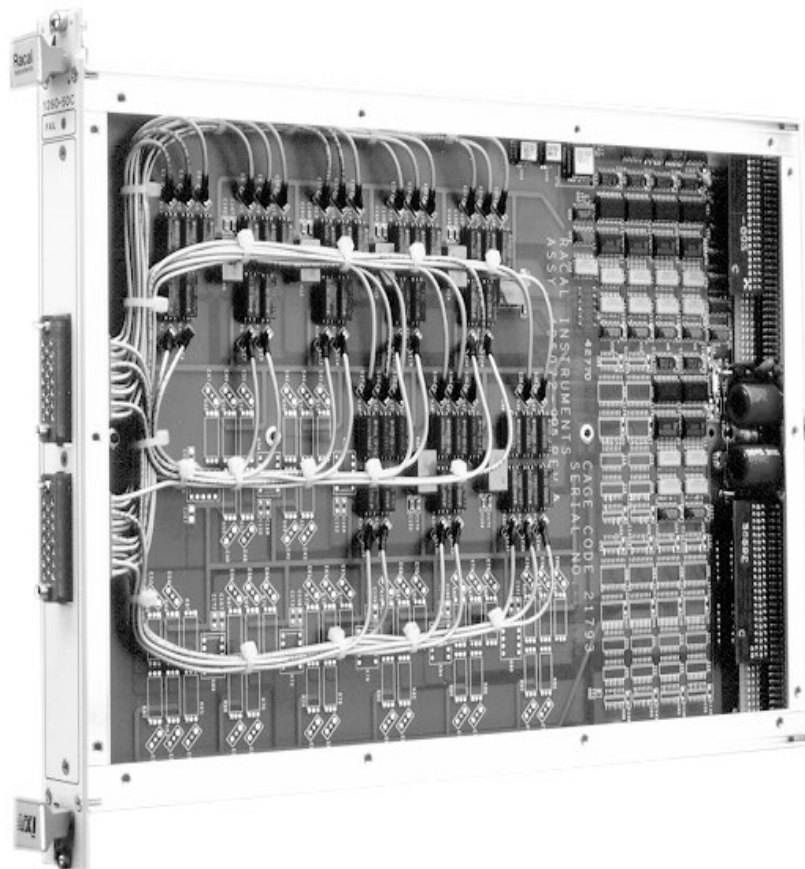


Figure 1-1, 1260-50C/D

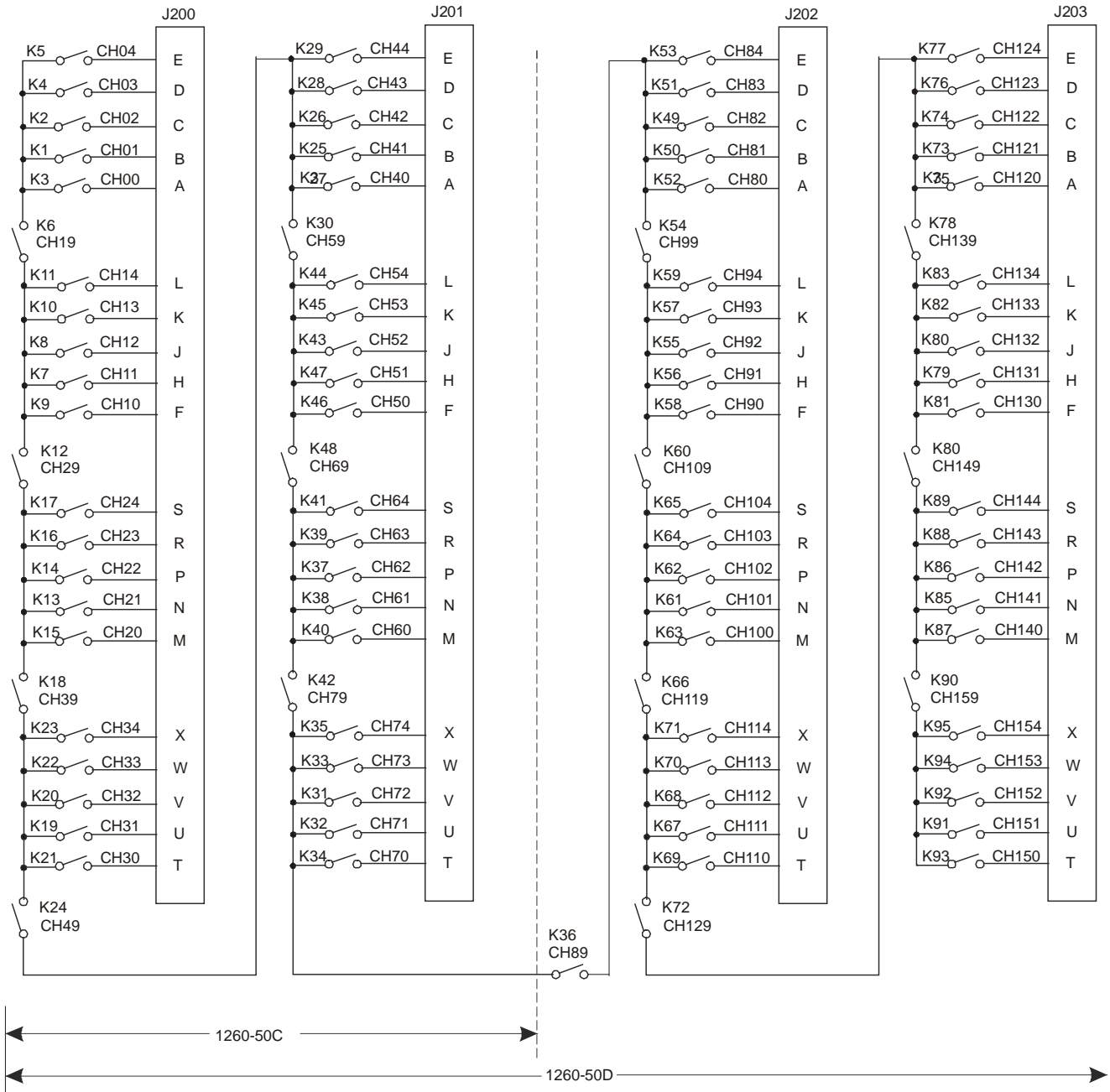


Figure 1-2, 1260-50C/D Functional Diagram

Specifications

Minimum Option 01 Firmware Revision	24.1
User Connector	
Housing:	Burndy MSD20PM-118
Contact:	Burndy RMDX60-36D28 for RG316 Coaxial Cable
Maximum Switchable Voltage (Signal to Ground)	200V DC/Peak AC Resistive Load
Maximum Switchable Current Per Channel	0.5A DC/Peak AC Resistive Load
Maximum Carry Current Per Channel	1A DC/Peak AC Resistive load
Life Expectancy Typical at Signal Level <1.0 V, .010 A	250 x 10 ⁶
DC Performance	
Path Resistance (1X4 Multiplexer)	<0.7Ω
(1X79 Multiplexer)	<2.0Ω
AC Performance	
Impedance	50 Ohm
Bandwidth (-3 dB)	>200 MHz
Insertion Loss (1 x 4 Multiplexer)	<0.70 dB at 100 MHz
Crosstalk Across Groups 50 Ohm Termination	10 MHz: <= -40 dB 100 MHz: <= -40 dB 200 MHz: <= -35 dB
Isolation Between Channels 50 Ohm Termination	10 MHz: <= -40 dB 100 MHz: <= -40 dB
VSWR (50 Ohm Termination) (1 x 4 Multiplexer)	1.3 :1 at 100 MHz

Rise Time (Typical 1 x 4 Multiplexer)	1.6 ns
Fall Time (Typical 1 x 4 Multiplexer)	1.6 ns
Propagation Delay Time (Typical 1 x 4 Multiplexer)	3 ns
Switching Time	39 ± 5mS

Cooling Requirements

Airflow	4 litres / sec
Backpressure	0.5 mm H ₂ O

Power Requirements (*pm)

+5 V	2.5 A
+12 V	0.5 A
Weight	1.174 Kg (2.59 lbs) without Option 01
	1.315 Kg (2.90 lbs) with Option 01

Coaxial Cable, Optional

Astronics P/N	Length, Feet	Insertion Loss @200 MHz	VSWR @ 100 MHz
407368-001	2	<.5 dB	1.2:1
407368-003	6	< 1.0 dB	1.2:1
407368-006	12	<2.0 dB	1.2:1

Coaxial cables have been tested to 1GHz, and are available as an option. Each cable contains a coaxial pin at each end. The cables are available in 2, 6, and 12 feet, and can be cut by customers to any length. (Example: The 6-foot cable can be cut to two 3-foot or one 2-foot and one 4-foot cable.) Coax pins (P/N 602220-900) suitable for RG316 coaxial cable may be purchased separately. The 1260-50C requires 40, and the 1260-50D requires 80. To crimp coaxial pins, use crimp tool Hytool M10S-1 from Burndy.

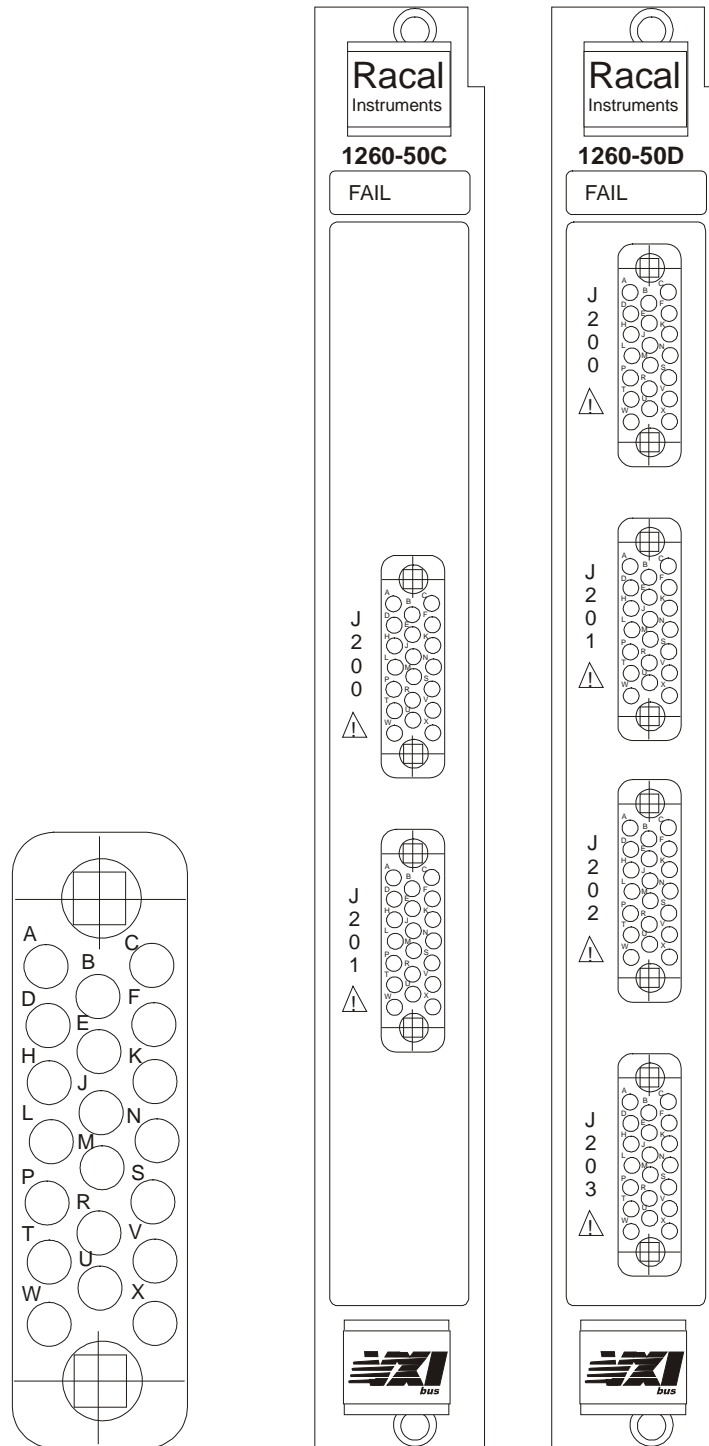


Figure 1-3, 1260-50C/D Front Panel and J200-J203 Connector Pin Configuration

Ordering Information

Model Number	Description	Part Number
1260-50C	8 1X4 50 Ω Multiplexer 40 Channels	407366-001
1260-50D	16 1X4 50 Ω Multiplexer 80 Channels	407366-002

Chapter 2

INSTALLATION INSTRUCTIONS

Unpacking and Inspection

1. Before unpacking the switching module, check the exterior of the shipping carton for any signs of damage. All irregularities should be noted on the shipping bill.
2. Remove the instrument from its carton, preserving the factory packaging as much as possible.
3. Inspect the switching module for any defect or damage. Immediately notify the carrier if any damage is apparent.
4. Have a qualified person check the instrument for safety before use.

Reshipment Instructions

1. Use the original packing when returning the switching module to Astronics Test Systems for calibration or servicing. The original shipping carton and the instrument's plastic foam will provide the necessary support for safe reshipment.
2. If the original packing is unavailable, wrap the switching module in plastic sheeting and use plastic spray foam to surround and protect the instrument.
3. Contact Customer Support for a Return Material Authorization (RMA) number prior to sending the module back to Astronics.
4. Reship in either the original or a new shipping carton.

Option 01 Installation

Installation of the Option 01 to the 1260-50C/D is described in the Installation section of the 1260 Series VXI Switching Cards Manual.

Module Installation

Installation of the 1260-50C/D Switching Module into a VXI mainframe, including the setting of DIP switches, is described in the Installation section of the 1260 Series VXI Switching Cards Manual. The ID byte DIP switch, SW1-5 should be set OFF for the 1260-50C module and ON for the 1260-50D module.

Chapter 3

MODULE SPECIFIC SYNTAX

1260-50C/D Module Specific Syntax

NOTE

The 1260-50C/D Coaxial switching module is supported by the Option 01 Operating Systems at Revision levels 24.1 and above.

The 1260-50C/D RF Multiplexer supports the OPEN, CLOSE, PSETUP, RESET and PDATAOUT commands.

Syntax

The module specific syntax for the 1260-50C/D RF Multiplexer is as follows:

OPEN

OPEN <module address>.<channel>[;<module address> . <channel>J

where <module address> is the address.

<channel> is the relay to be closed to connect an input to the output.

Note that Channels remain closed until opened by an OPEN command, RESET command, VXI hard or soft reset, or power-off.

The range of values for <channel> is:

1260-50C: 00-04, 10-14, 19, 20-24, 29, 30-34, 39, 40-44, 49, 50-54, 59, 60-64, 69, 70-74, 79

1260-50D: 00-04, 10-14, 19, 20-24, 29, 30-34, 39, 40-44, 49, 50-54, 59, 60-64, 69, 70-74, 79, 80-84, 89, 90-94, 99, 100-104, 109, 110-114, 119, 120-124, 129, 130-134, 139, 140-144, 149, 150-154, 159

CLOSE

The Module Specific Syntax for the CLOSE command is the same as for the OPEN command.

PSETUP

The PSETUP command causes the specified module setup to be transmitted to the VXI Controller. The syntax used is:

```
PSETUP <module address> [;<module address>];<module address>]
```

where <module address> is the address.

The responses to the PSETUP command for the 1260-50C/D multiplexer is as follows:

1260-50C:

```
<module address>.1260-50C, 8 (1x4) 200 MHz MULTIPLEXER MODULE
```

```
<module address>.B BM
```

```
<module address>.END
```

1260-50D:

```
<module address>.1260-50D, 16 (1X4) 200 MHz MULTIPLEXER MODULE
```

```
<module address> .B BM
```

```
<module address> .END
```

PDATAOUT

The PDATAOUT command causes the specified module to transmit the CLOSED state of the relays fitted to the switching module to the 1260 Controller. The syntax used is:

```
PDATAOUT <module address>[ <module address>] [<module address>]
```

The responses to the PDATAOUT command is as follows:

1260-50C:

```
<module address>. 1 260-50C 8 (1 x4) 200 MHz MULTIPLEXER MODULE
```

```
<module address> .<channel>[,<channel>] [<channel>]
```

```
<module address> END
```

1260-50D:

```
<module address>.1260-50D 16 (1x4) 200 MHz MULTIPLEXER  
MODULE
```

```
<module address>.<channel>[,<channel>] [<channel>]
```

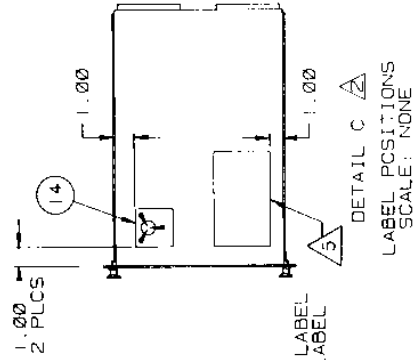
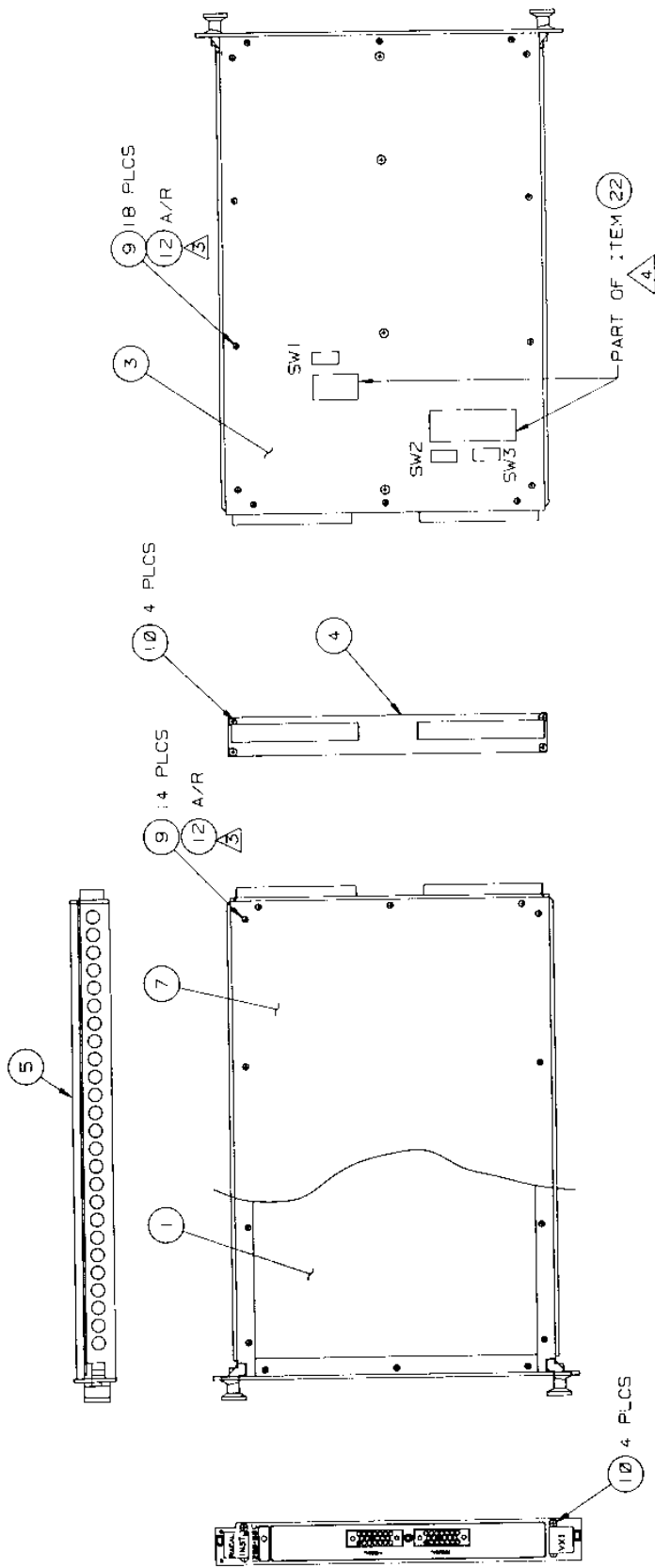
```
<module address>.END
```

Chapter 4

DRAWINGS

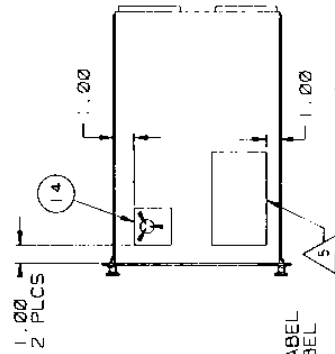
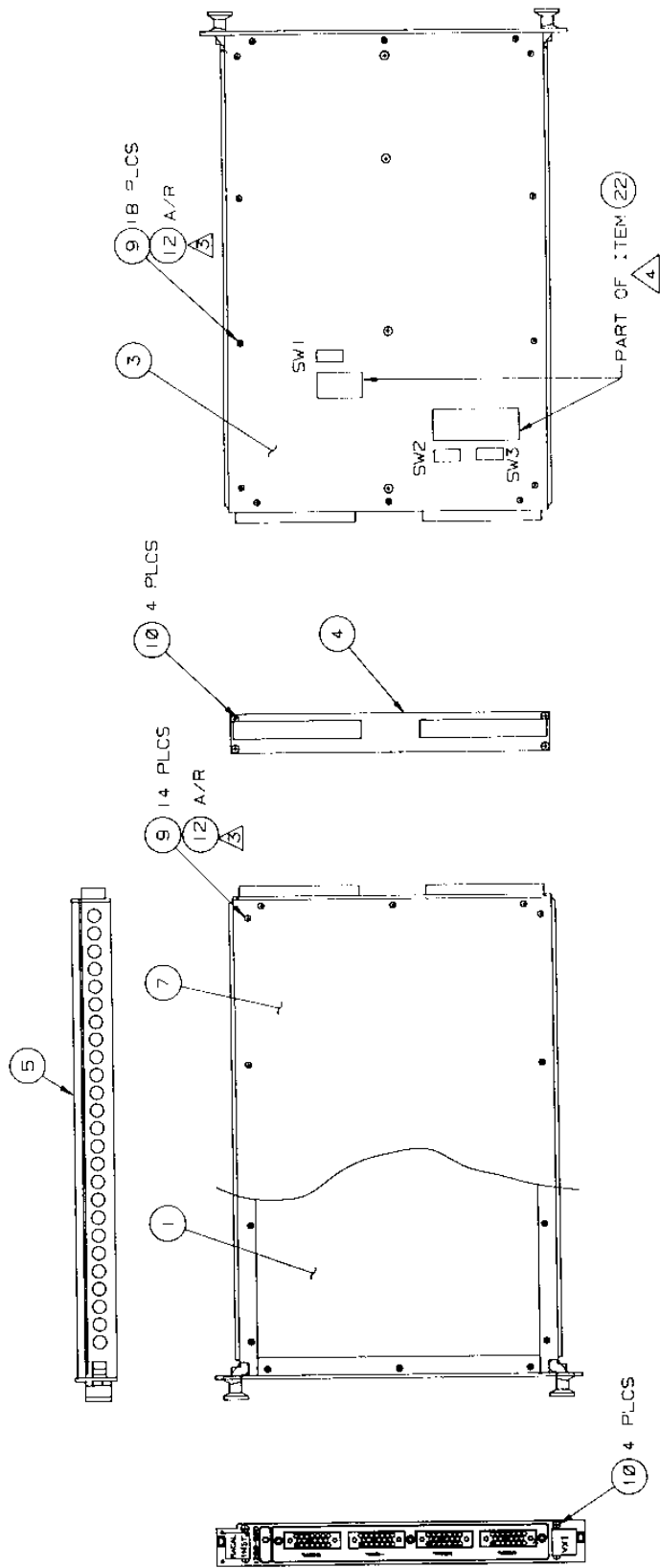
407366-001, Final Assembly, 1260-50C.....	4-3
407366-002, Final Assembly, 1260-50D.....	4-4
405072-005, PCB Assembly, 1260-50C	4-5
405072-006, PCB Assembly, 1260-50D	4-6
435072, Schematic, 1260-50.....	4-7

This page was left intentionally blank.



DOCUMENT TITLE			
1260-50C 200 MHZ			
RF MUX. 8 1 X 4			
SIZE	CODE IDENT NO.	DOCUMENT NO.	REV.
D	21793	407366-001	A
SCALE NONE		SHEET	OF 2

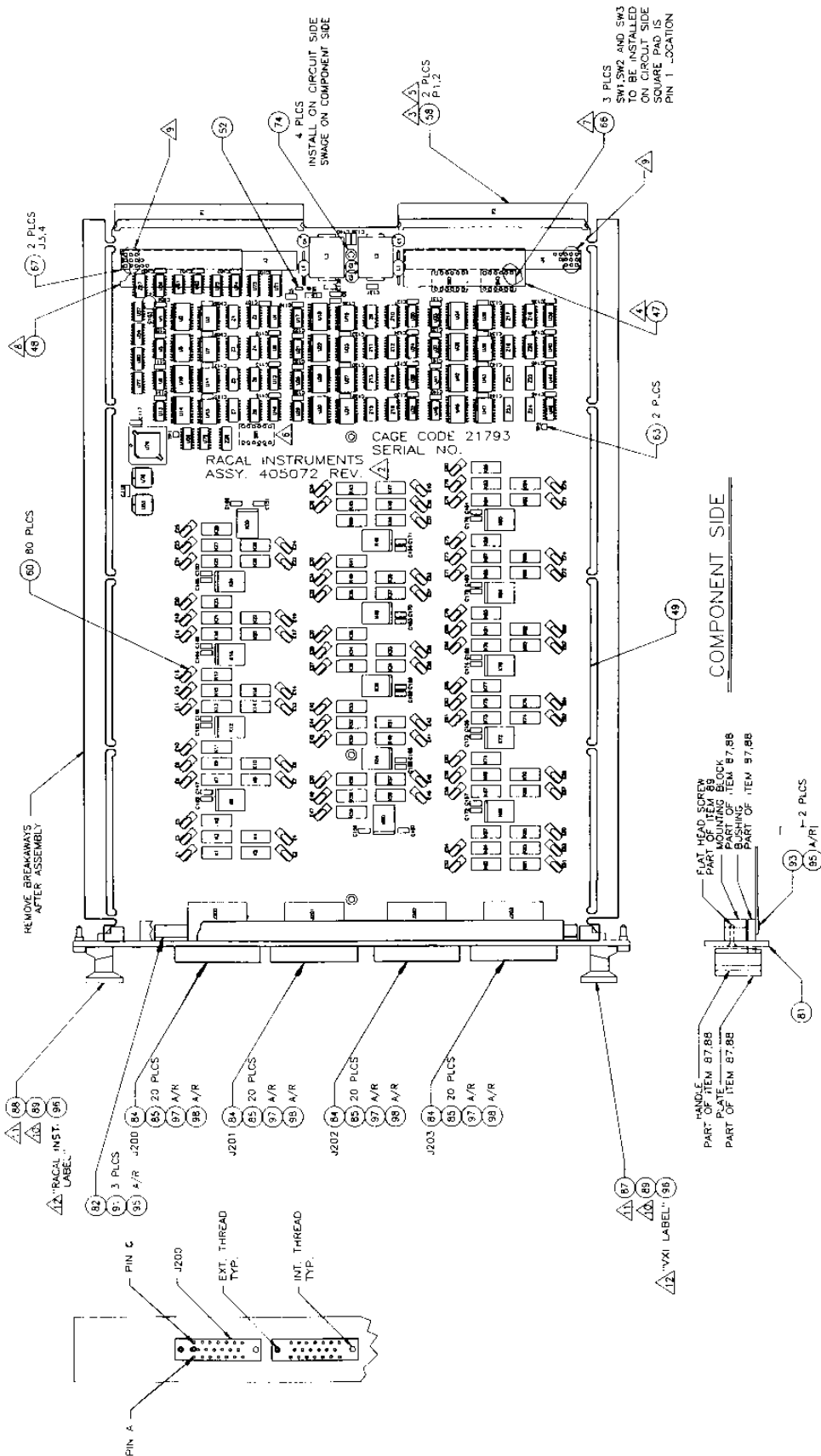
- 5 LOCATE APPROPRIATE VXI LABEL WHERE SHOWN.
- 4 CUT OUT THE 12 LOCAL BUS LINES LABEL FROM ITEM 22 LABEL SET. AFFIX LABEL AS SHOWN TO SW2 & SW3. AFFIX ID BYTE LABEL AS SHOWN TO SW1. ALIGN LABEL TEXT WITH APPROPRIATE SWITCH ACTUATORS.
- 3 APPLY LOCTITE 242 (ITEM 12) TO ALL SCREWS THAT DO NOT USE MECHANICAL LOCKING HARDWARE.
- 2 LOCATE LABELS AS SHOWN IN DETAIL C.
- 1. NOTE NOT ASSIGNED.



DOCUMENT TITLE		1260-50D, 200 MHZ RF MUX, 16 1X4	
SIZE	CODE IDENT NO.	DOCUMENT NO.	REV.
D	21793	407366-002	A
SCALE NONE		SHEET	1 OF 2

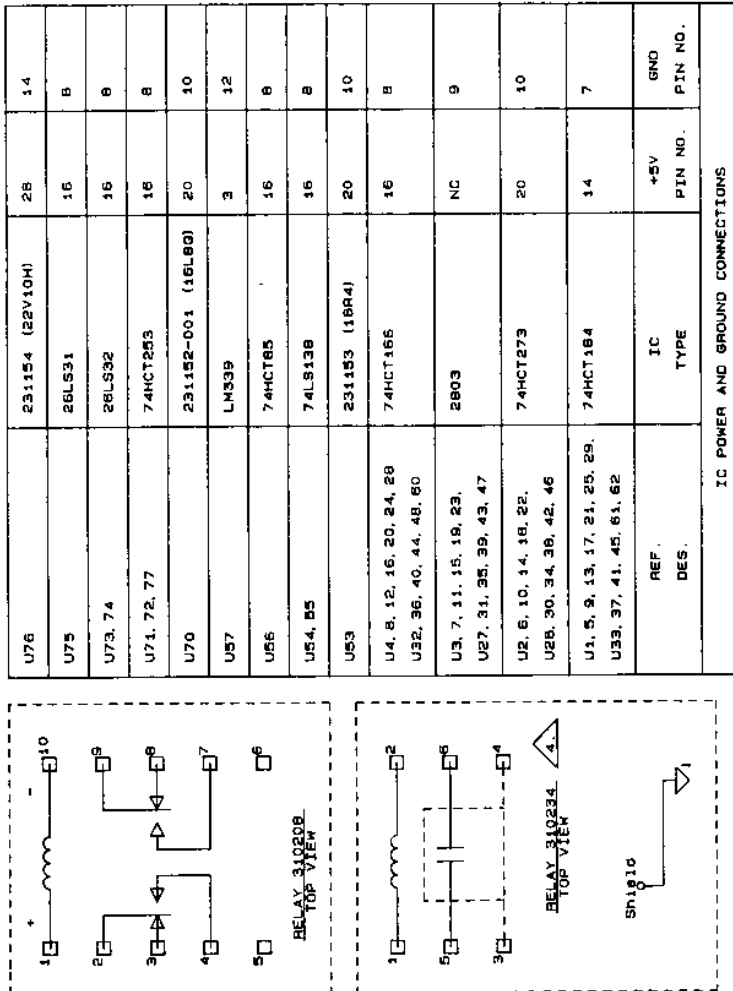
- 5 LOCATE APPROPRIATE VXI LABEL WHERE SHOWN.
- 4 CUT OUT THE 12 LOCAL BUS LINES LABEL FROM ITEM 22 LABEL SET. AFFIX LABEL AS SHOWN TO SW2 & SW3. AFFIX ID BYTE LABEL AS SHOWN TO SW1. ALIGN LABEL TEXT WITH APPROPRIATE SWITCH ACTUATORS.
- 3 APPLY LOC TITE 242 (ITEM 12) TO ALL SCREWS THAT DO NOT USE MECHANICAL LOCKING HARDWARE.
- 2 LOCATE LABELS AS SHOWN IN DETAIL C.

1. NOTE NOT ASSIGNED.

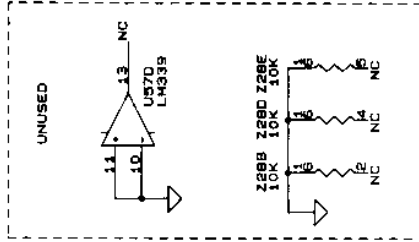


DOCUMENT TITLE				
SIZE	CODE	DEPT NO	DOCUMENT NO	REV
D	21793		405072-006	A
SCALE	1/1		SHEET	OF
			1	5

- 13. FOR ITEM 85 USE CRIMP TOOL RTT00L M108-1. CRIMP TOOL'S FOLLOWING: DIE SET S-87, STOP BUSH 50-159.
- ▲ INSTALL (ITEM 48) PCB INTO (ITEM 67) J3.
- ▲ SET SW2 AND SW3 (ITEM 66) TO ON POSITION. DO NOT WAVE SOLDER.
- ▲ ALSO SET SW1 POSITION TO ON. DO NOT WAVE SOLDER.
- ▲ P1 AND P2 MUST BE INSTALLED FLUSH AT RIGHT ANGLE TO PCB.
- ▲ INSTALL (ITEM 47) PCB INTO (ITEM 67) J4.
- ▲ SOLDER TAILS ON CIRCUIT SIDE OF PCB FOR P1 AND P2 (ITEM 56) TO BE TRIMMED TO A MAXIMUM HEIGHT OF .043.
- ▲ INK STAMP SERIAL NUMBER AND CURRENT REVISION ON COMPONENT SIDE APPROX. WHERE SHOWN.
- 1. REFERENCE SCHEMATIC 435072.
- ▲ INSTALL ITEM 96 (RACAL INST. VVI LABELS) RIGHT-READING WITH ITEM 81 NOMENCLATURE.
- ▲ ITEM 87 CONSISTS OF ONE BOTTOM HANDLE. ONE BOTTOM PCB MOUNTING BLOCK. ONE TOP HANDLE. ONE TOP PCB MOUNTING BLOCK ARE FOR THE TOP.
- ▲ ITEM 88 CONSISTS OF MOUNTING HARDWARE FOR HANDLES SUPPLIED AND ASSOCIATED PARTS. DISCARD UNUSED HARDWARE SUPPLIED WITH ITEM 88.
- ▲ SOLDER TAILS ON CIRCUIT SIDE OF PCB FOR J3 AND J4 (ITEM 67) TO A MAXIMUM HEIGHT OF .043.



Z28
W1
U77
TP2
SW3
P2
L5
KB7
J203
E80
C176
HIGHEST REF. DES.



U76	231154 (22V10H)	28	14
U75	26LS31	15	B
U73, 74	26LS32	15	B
U71, 72, 77	74HCT253	15	B
U70	231152-001 (16L80)	20	10
U57	LM339	3	12
U55	74HCT85	16	B
U54, 55	74LS138	15	B
U53	231153 (16R4)	20	10
U4, 8, 12, 16, 20, 24, 28	74HCT165	16	B
U32, 36, 40, 44, 48, 80			
U3, 7, 11, 15, 19, 23	2803	NC	9
U27, 31, 35, 39, 43, 47			
U2, 6, 10, 14, 18, 22	74HCT273	20	10
U28, 30, 34, 38, 42, 46			
U1, 5, 9, 13, 17, 21, 25, 29	74HCT164	14	7
U33, 37, 41, 45, 61, 62			
REF. DES.	IC TYPE	+5V PIN NO.	GROUND PIN NO.

IC POWER AND GROUND CONNECTIONS

6. PARTS INSTALLED FOR 405072-002 ONLY. PARTS NOT INSTALLED FOR 405072-001.

5. C5 AND C6 ARE NOT INSTALLED.

4. RELAY RACAL P/N 310234. RELAYS ELECTROSTATIC SHIELDS (PIN 3, 4) TIED TO SIGNAL GROUND.

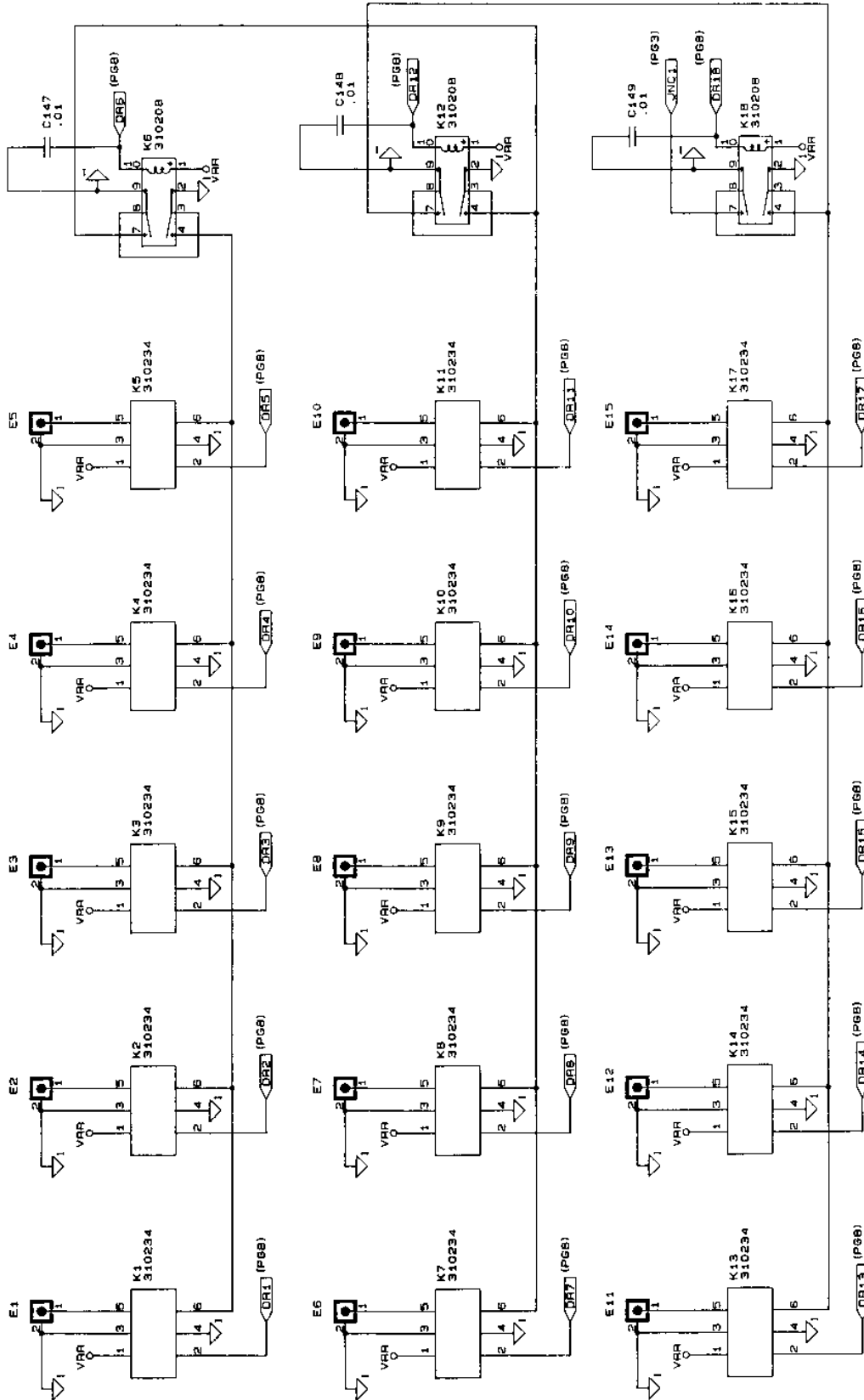
3. ALL RELAYS SHOWN IN DE-ENERGIZED POSITION.

2. RESISTOR NETWORKS ARE IN OHMS. +/-2%.

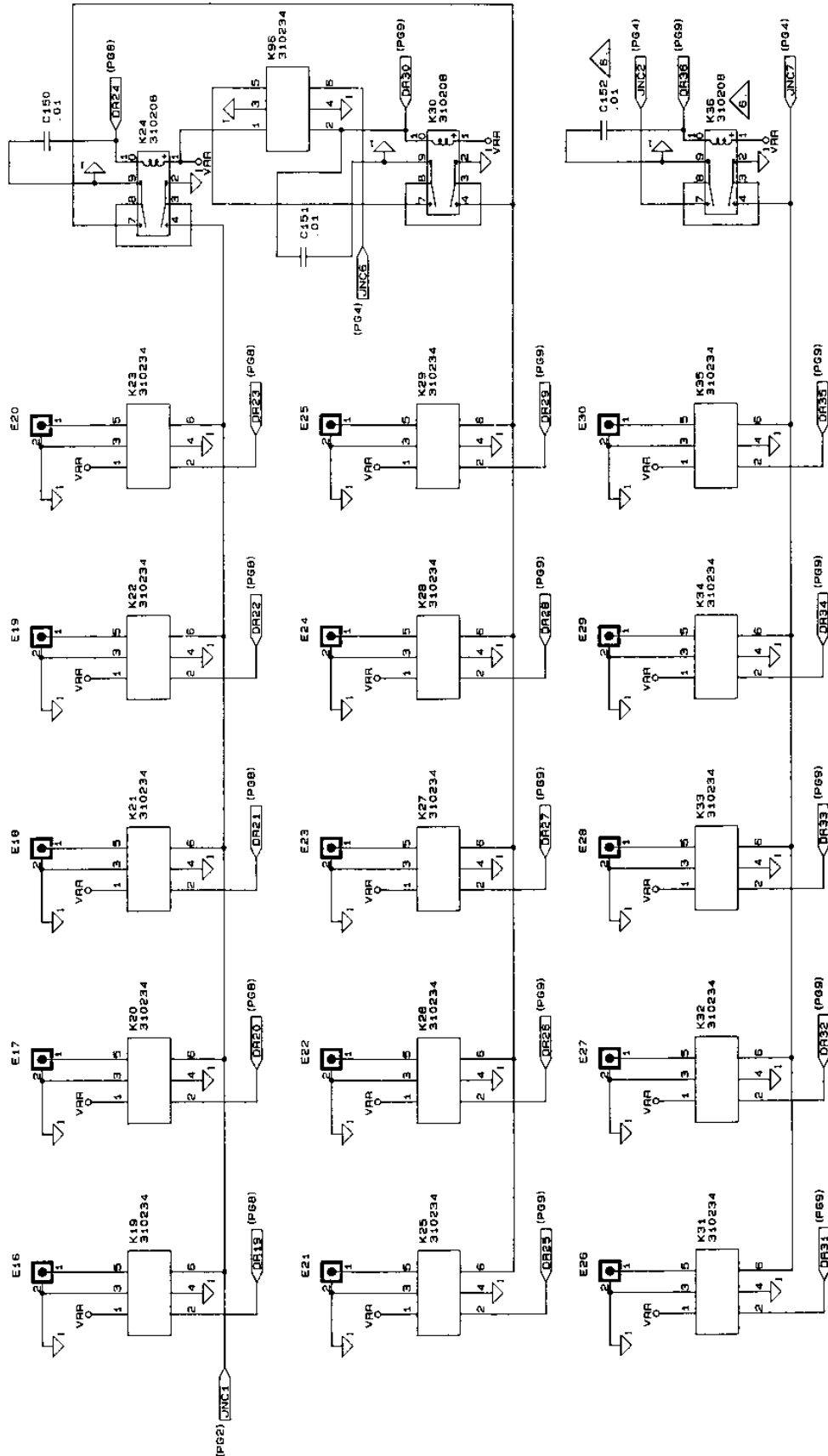
1. CAPACITOR VALUES ARE IN MICROFARADS. 50V. +/-20%.

NOTES: UNLESS OTHERWISE SPECIFIED

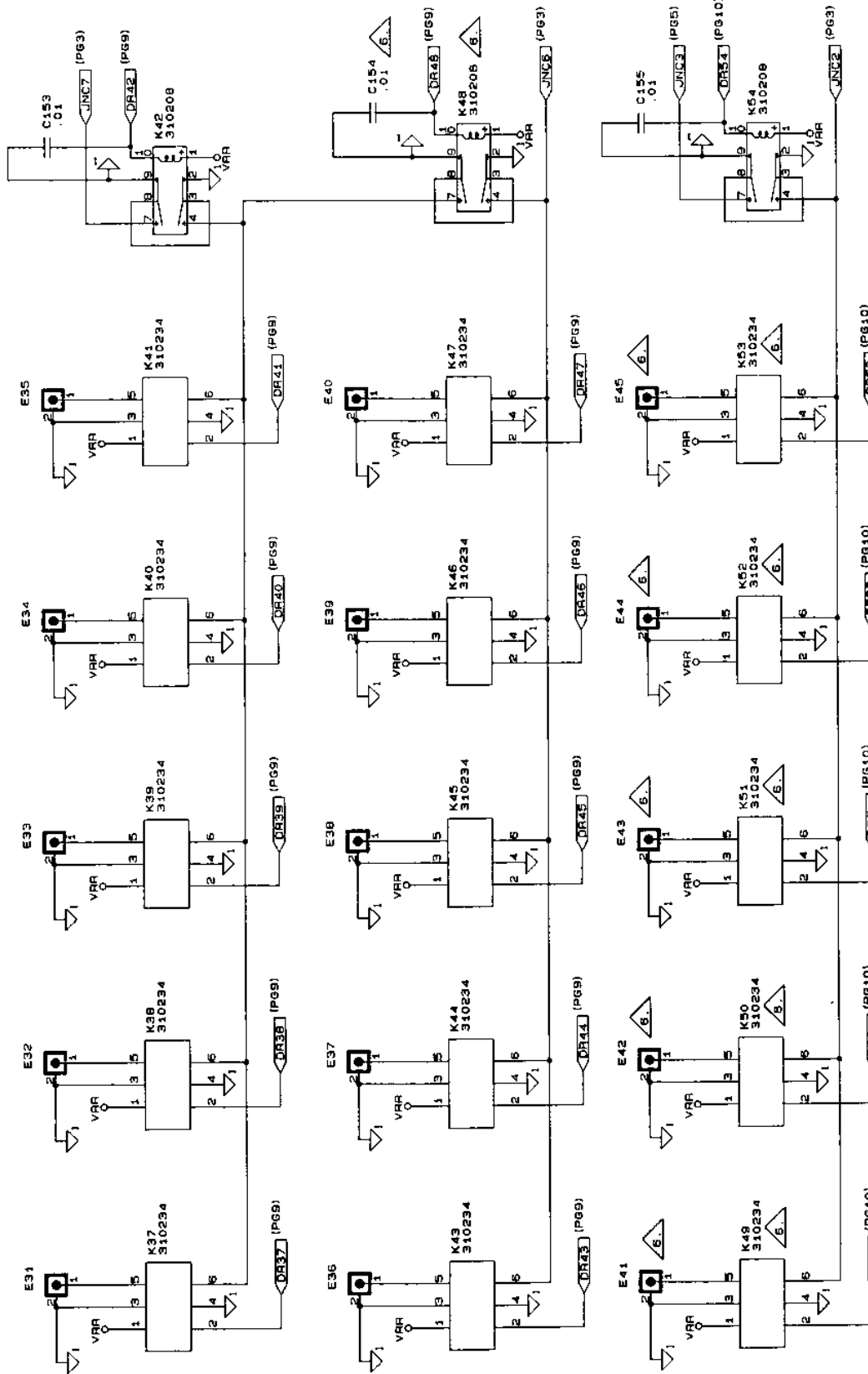
DOCUMENT TITLE			
SCHEM.. 1260-50			
SIZE	CAGE CODE	DOCUMENT NO.	REV.
B	21793	435072	B
SCALE		SHEET 1	OF 17



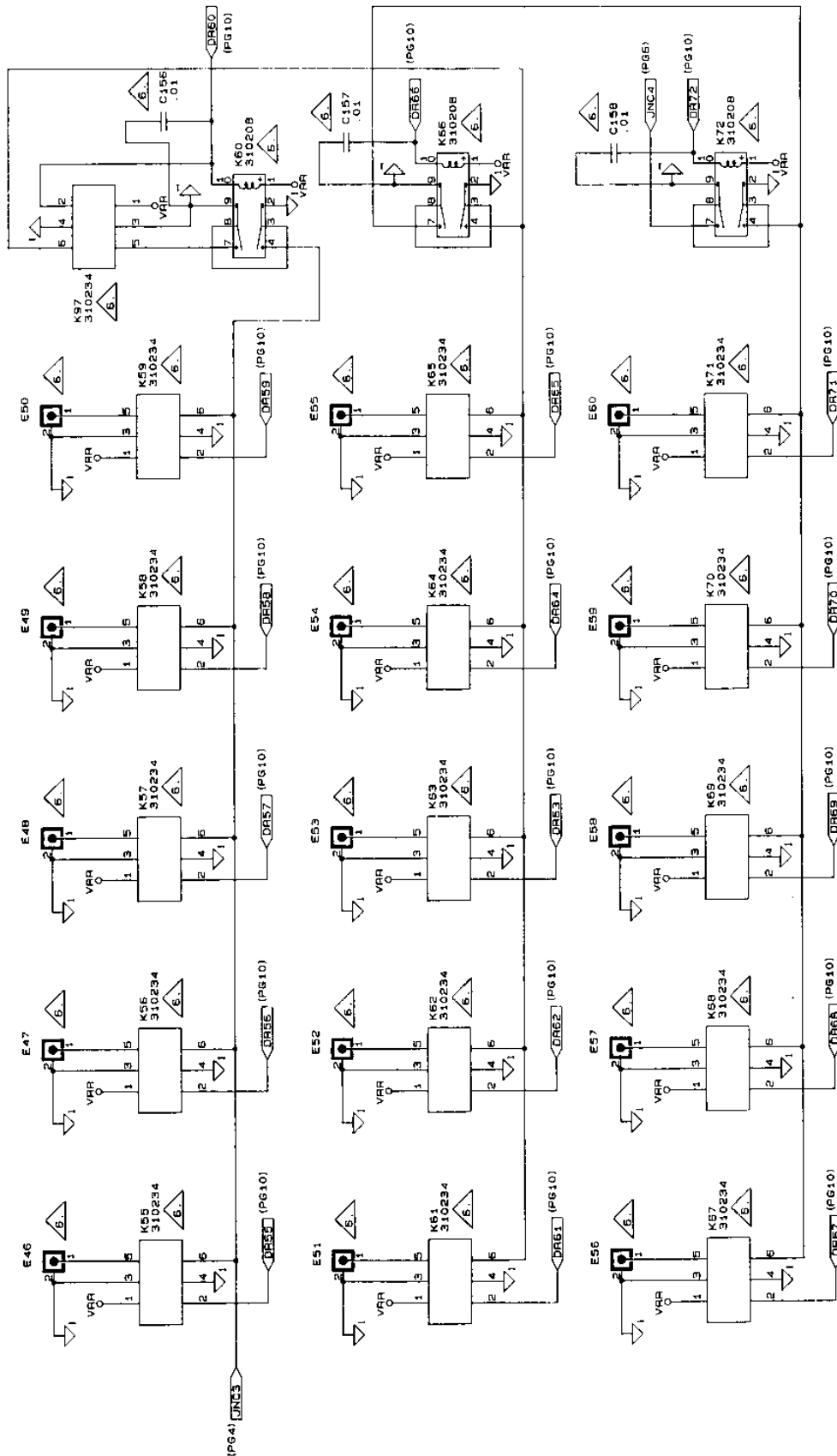
SIZE	CAGE CODE	DOCUMENT NO	REV
B	21793	435072	B
SCALE		SHEET 2	OF 17



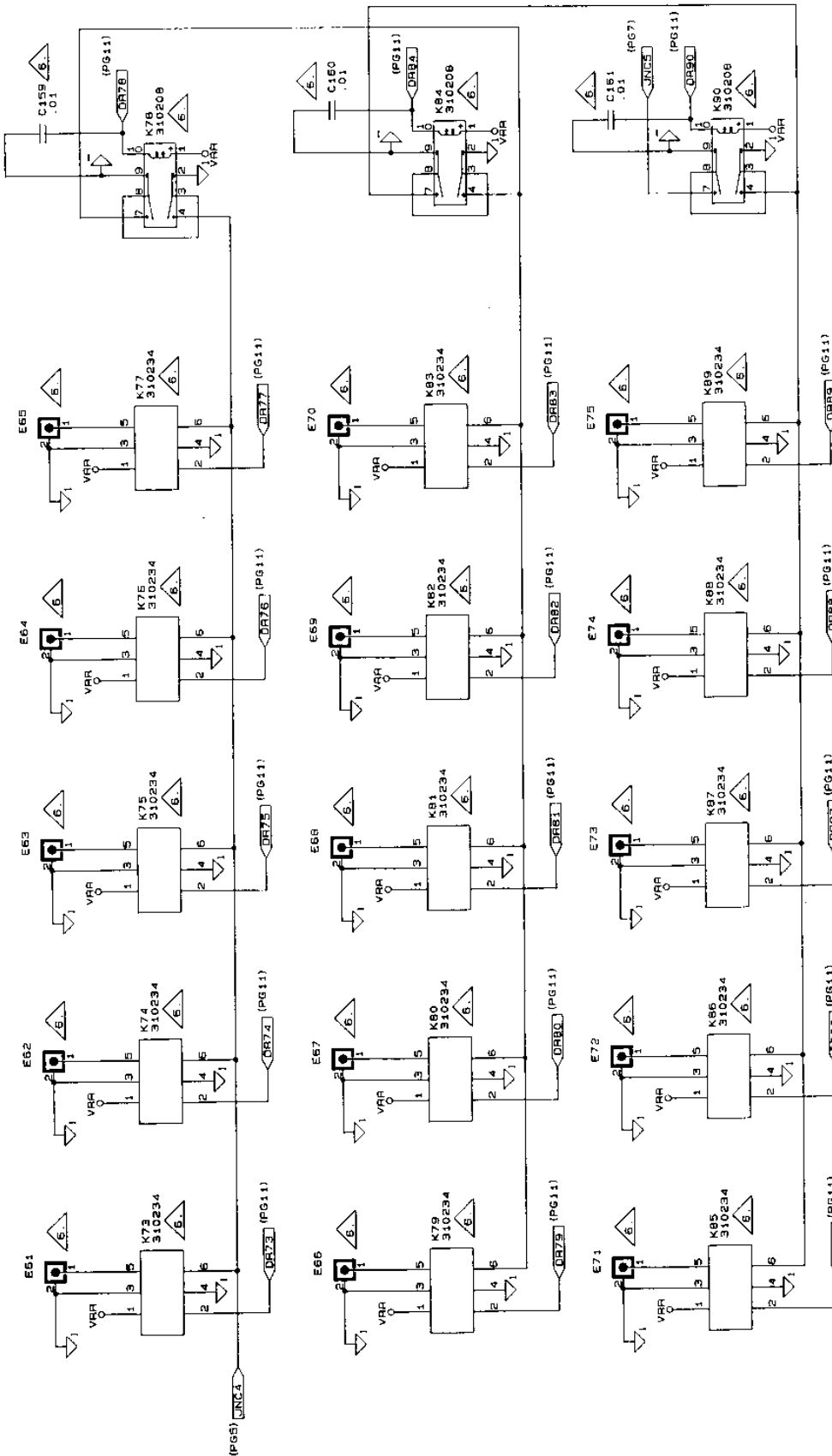
SIZE	CAGE CODE	DOCUMENT NO	REV.
B	21793	435072	B
SCALE		SHEET 3	OF 17



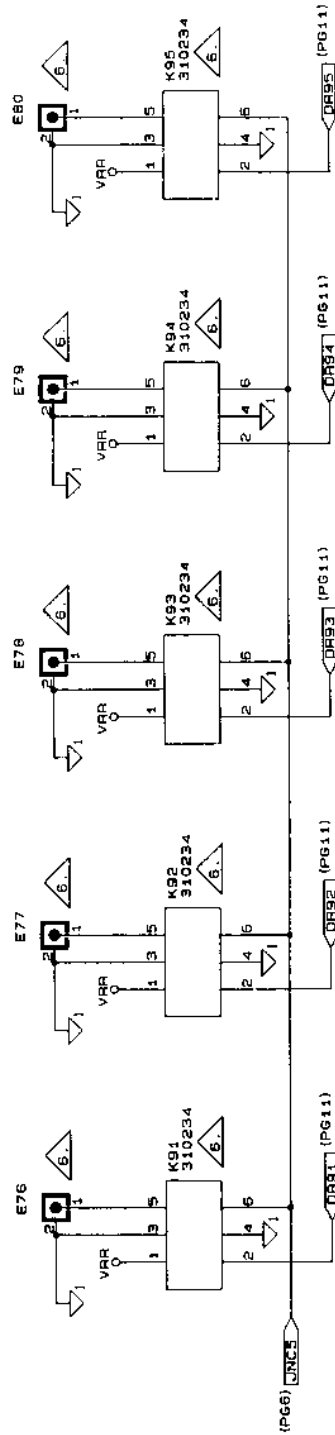
SIZE	CAGE CODE	DOCUMENT NO.	REV.
B	21793	435072	B
SCALE		SHEET 4	OF 17



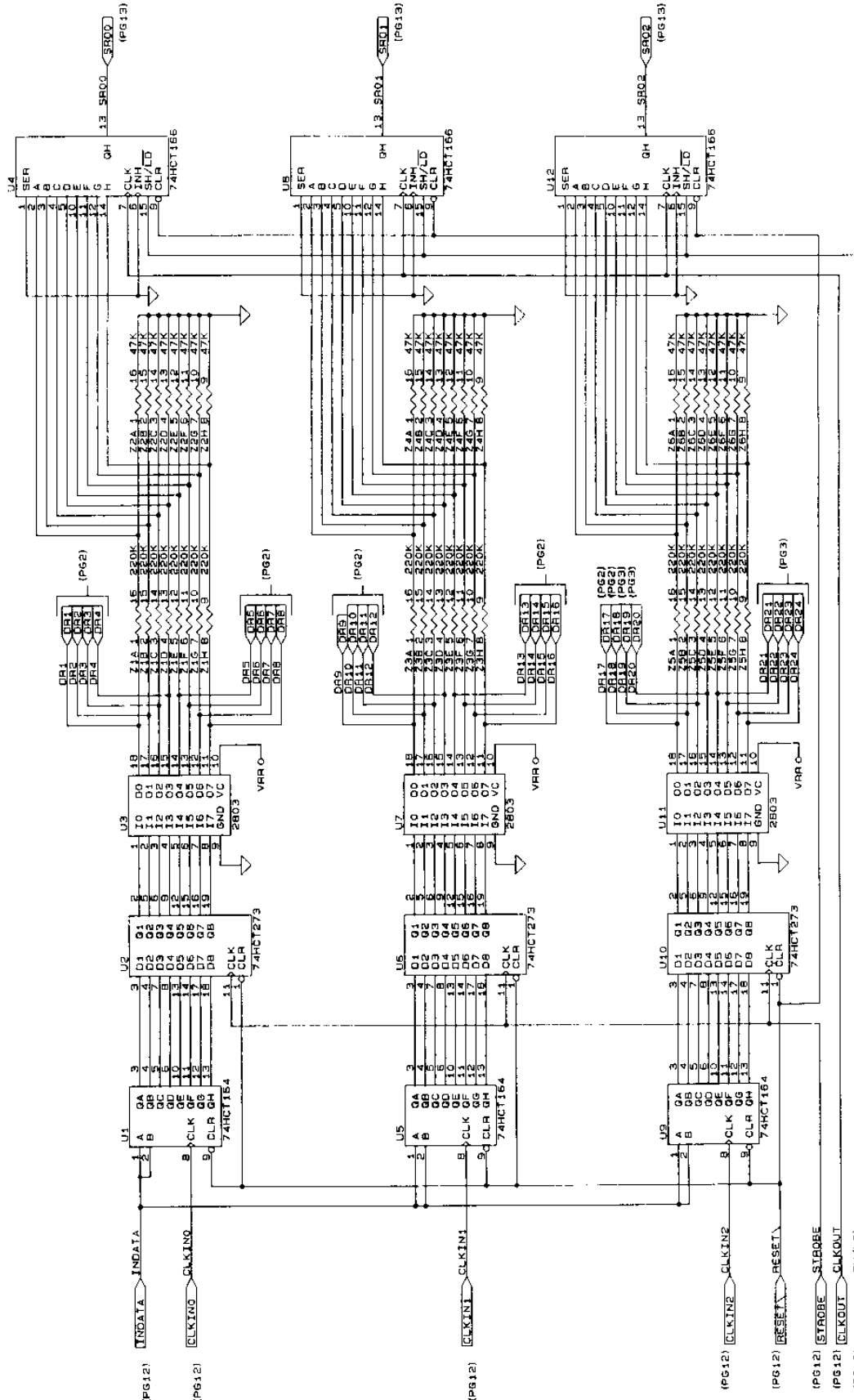
SIZE	CAGE CODE	DOCUMENT NO	REV
B	21793	435072	B
SCALE		SHEET 5	OF 17



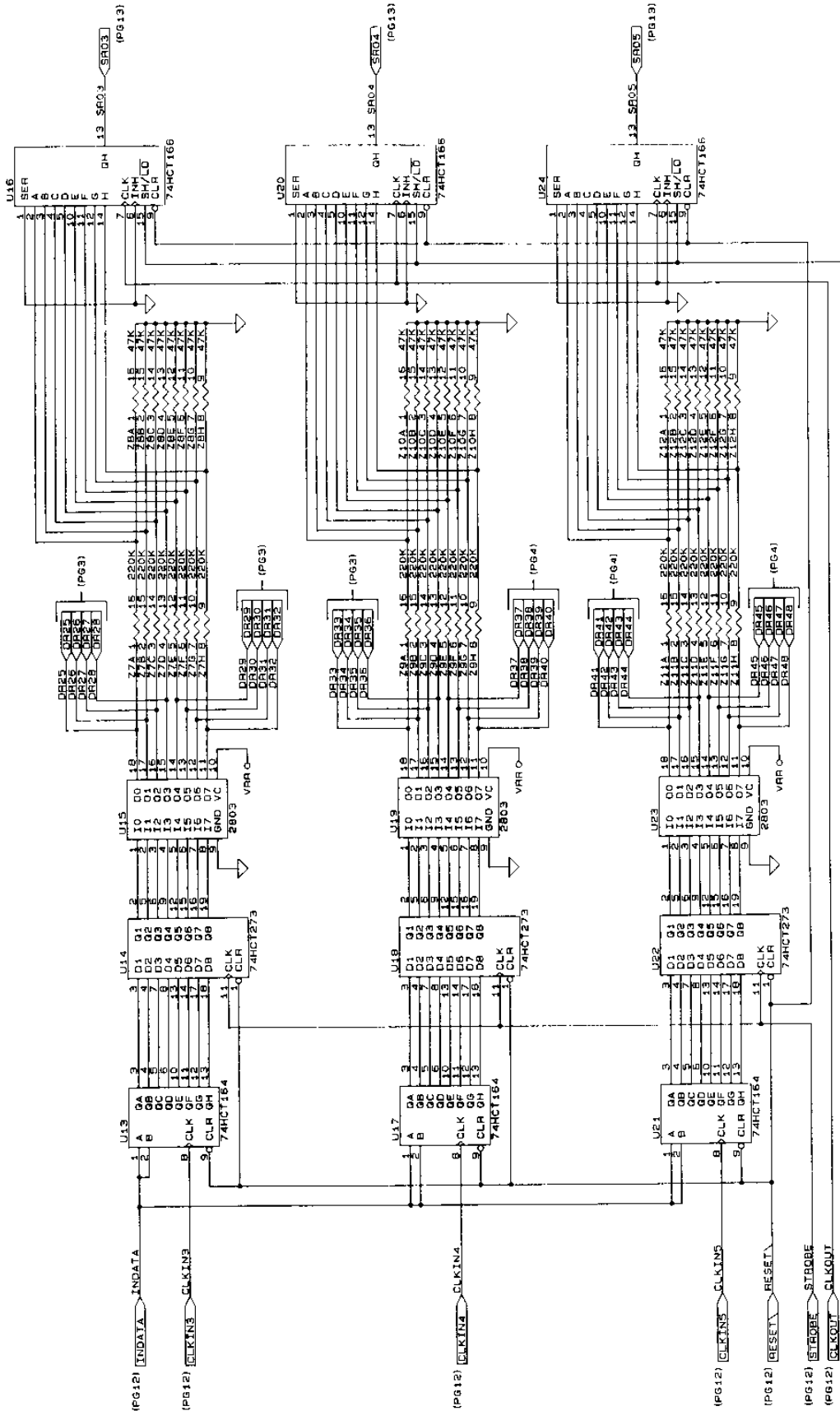
SIZE	CAGE CODE	DOCUMENT NO	REV
B	21793	435072	B
SCALE		SHEET 6	OF 17



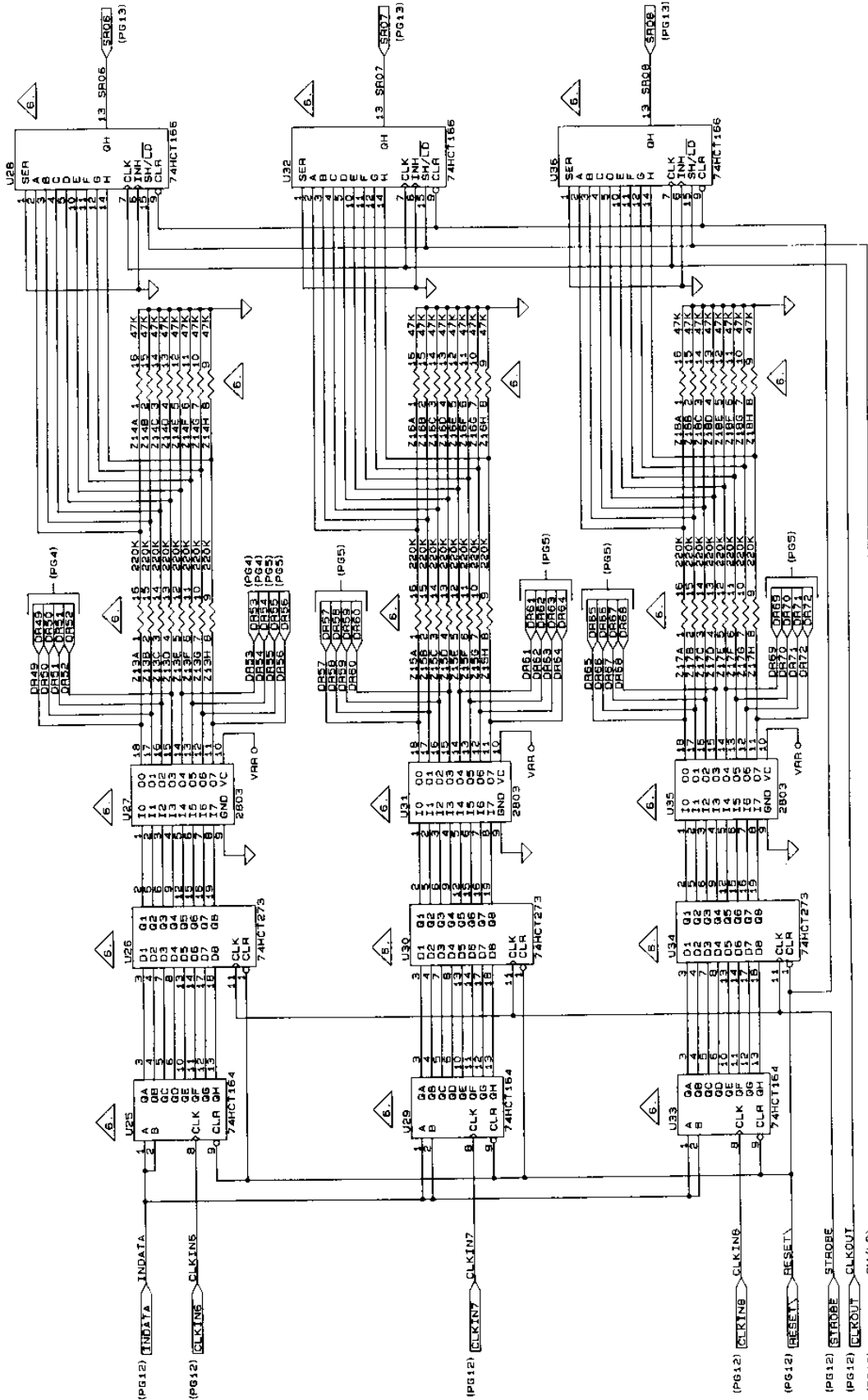
SIZE	CAGE CODE	DOCUMENT NO.	REV.
B	21793	435072	B
SCALE		SHEET 7	OF 17



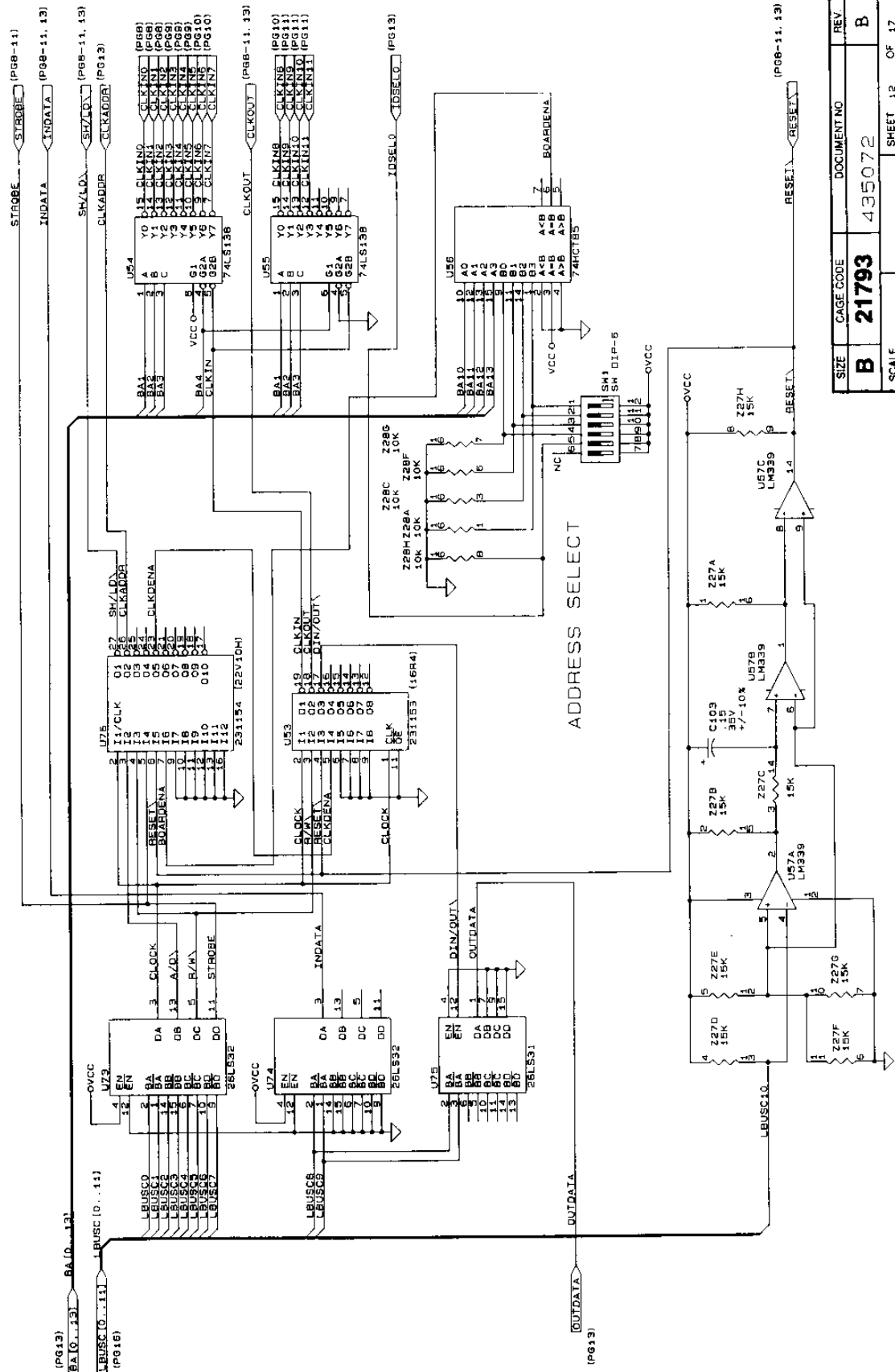
SIZE	CAGE CODE	DOCUMENT NO	REV
B	21793	435072	B
SCALE		SHEET 6	OF 17



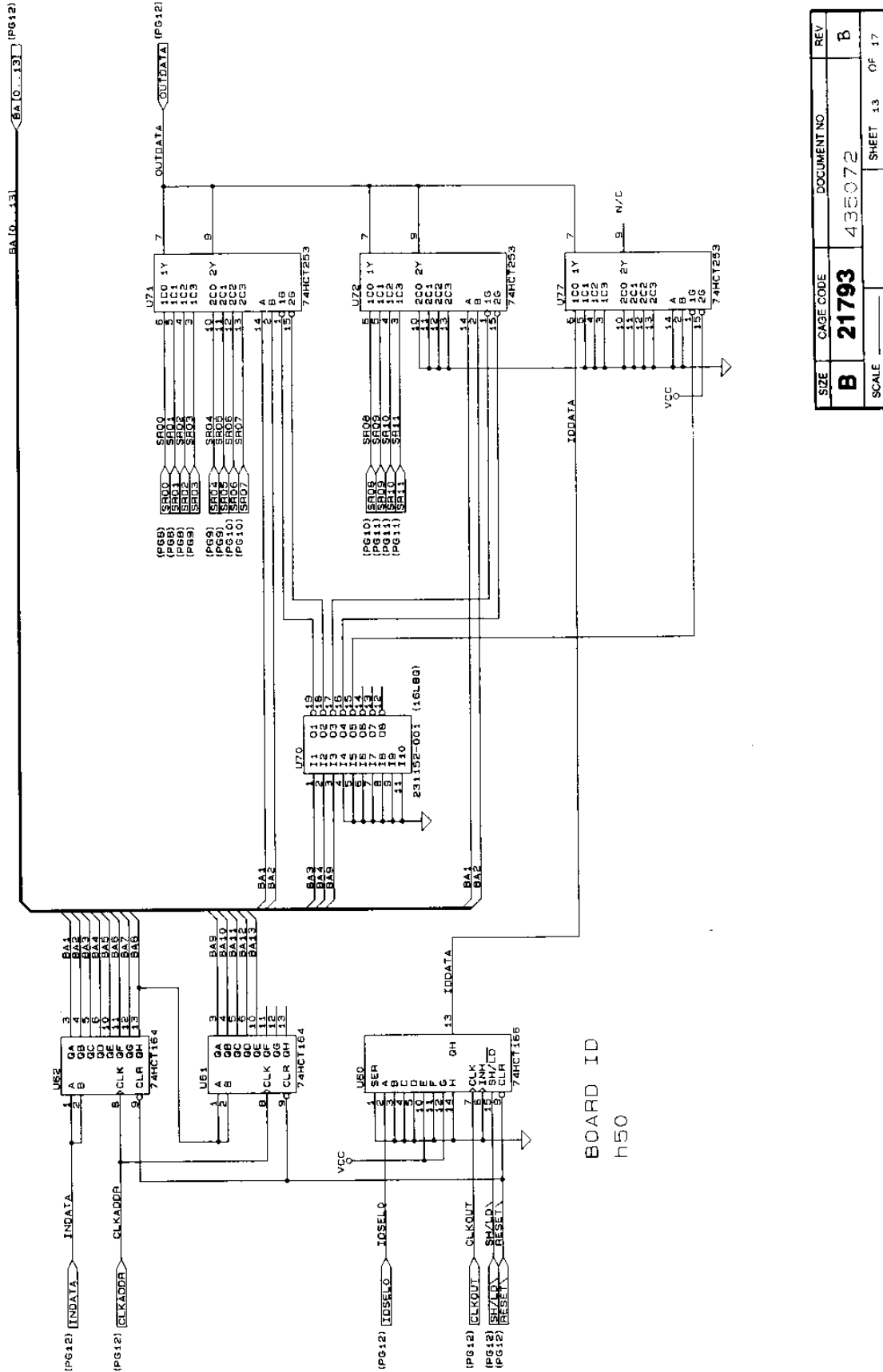
SIZE	CASE CODE	DOCUMENT NO	REV
B	21793	435072	B
SCALE		SHEET 9	OF 17



SIZE	CAGE CODE	DOCUMENT NO	REV
B	21793	435072	B
SCALE		SHEET 10	OF 17

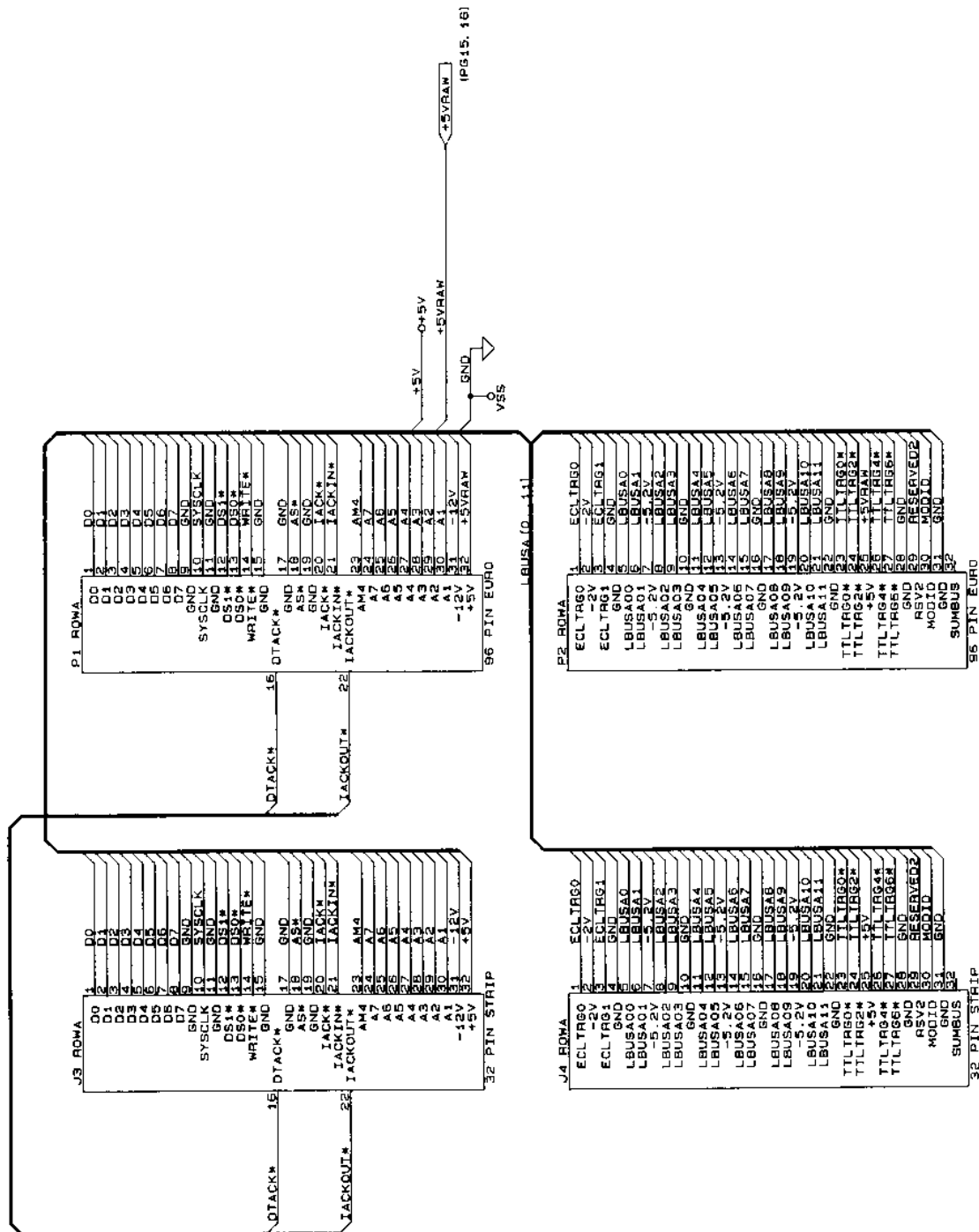


SIZE	CAGE CODE	DOCUMENT NO	REV
B	21793	435072	B
SCALE		SHEET 12	OF 17

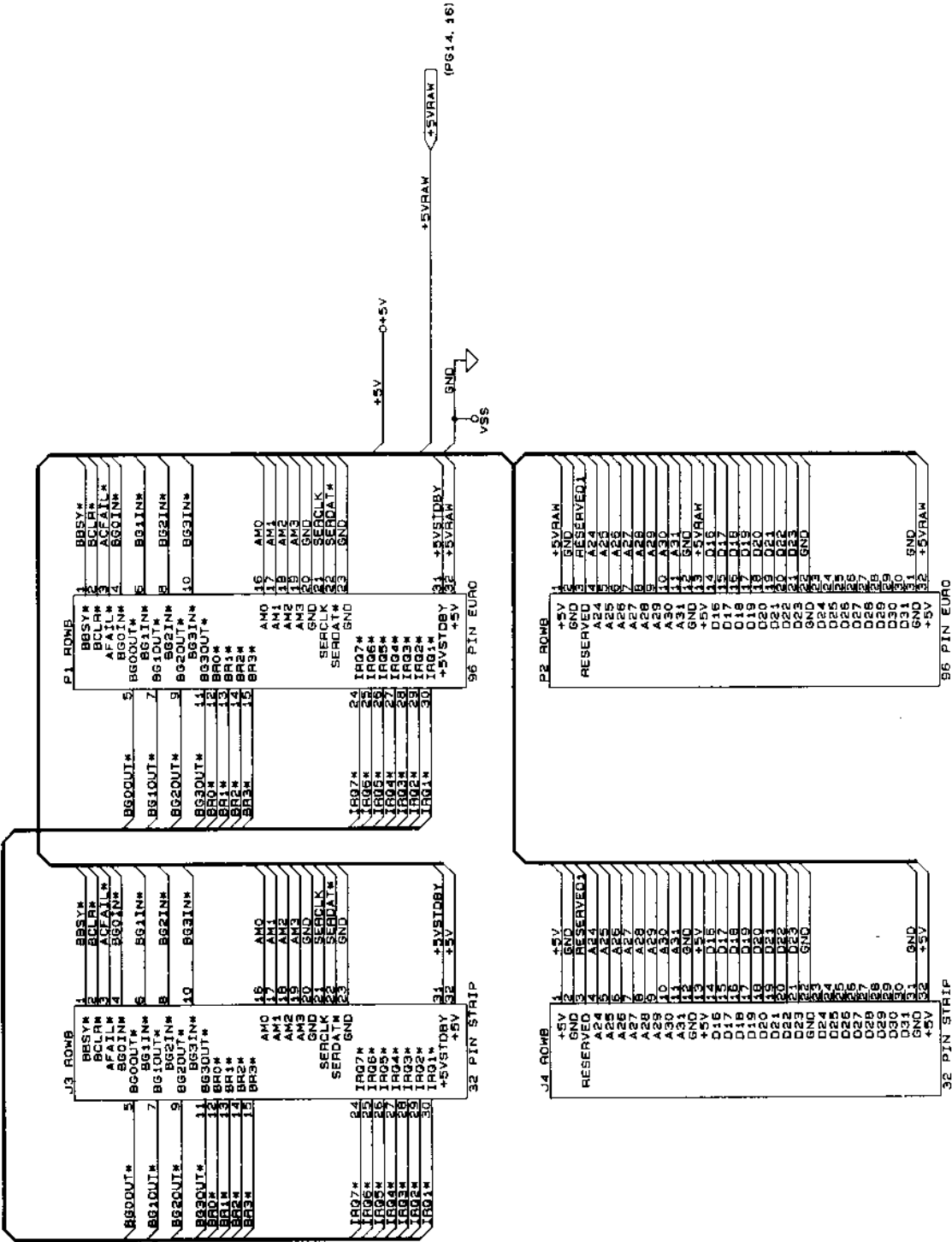


BOARD ID
h50

SIZE	CAGE CODE	DOCUMENT NO.	REV
B	21793	435072	B
SCALE		SHEET 13	OF 17

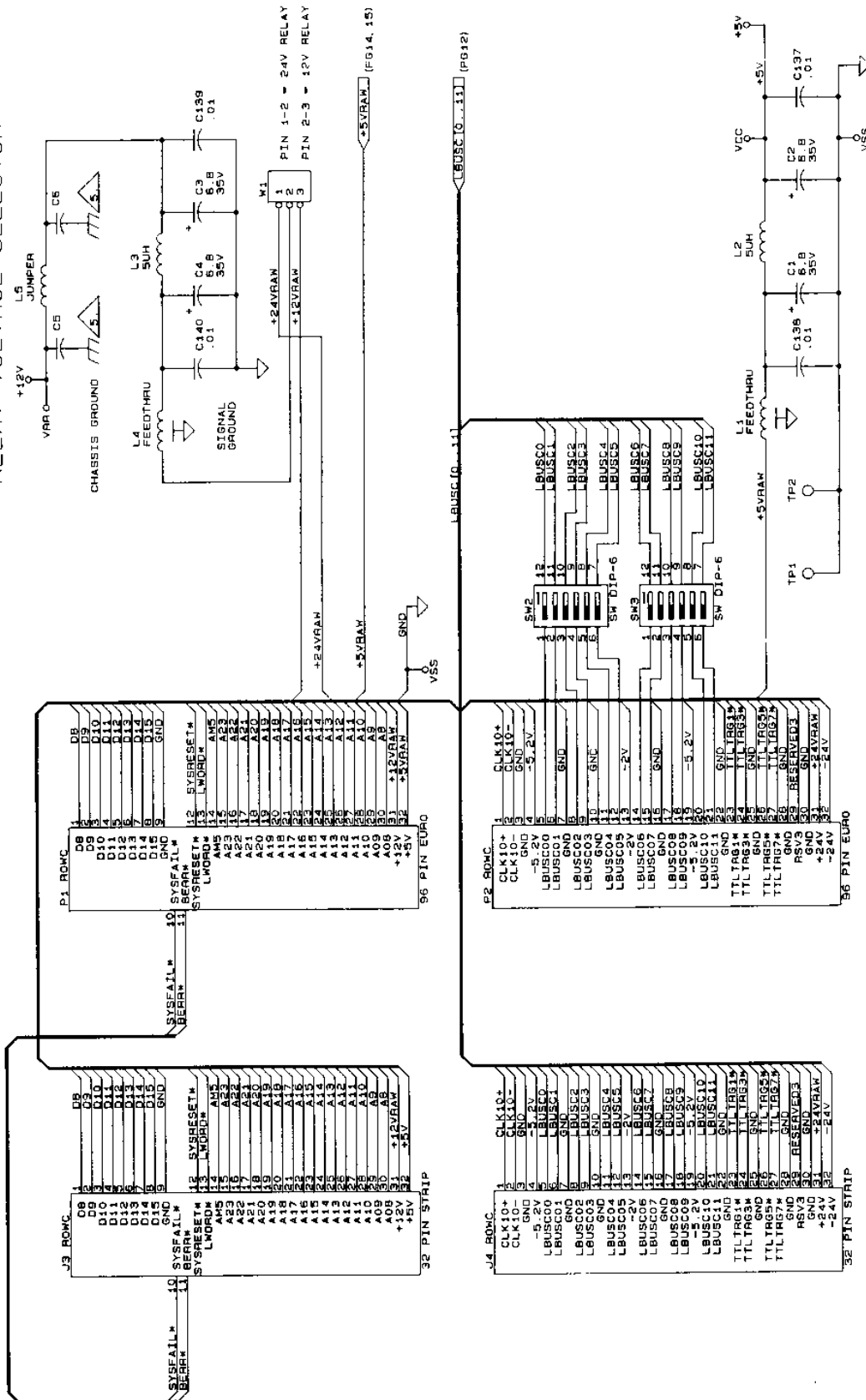


SIZE	CAGE CODE	DOCUMENT NO	REV
B	21793	435072	B
SCALE		SHEET 14	C 17

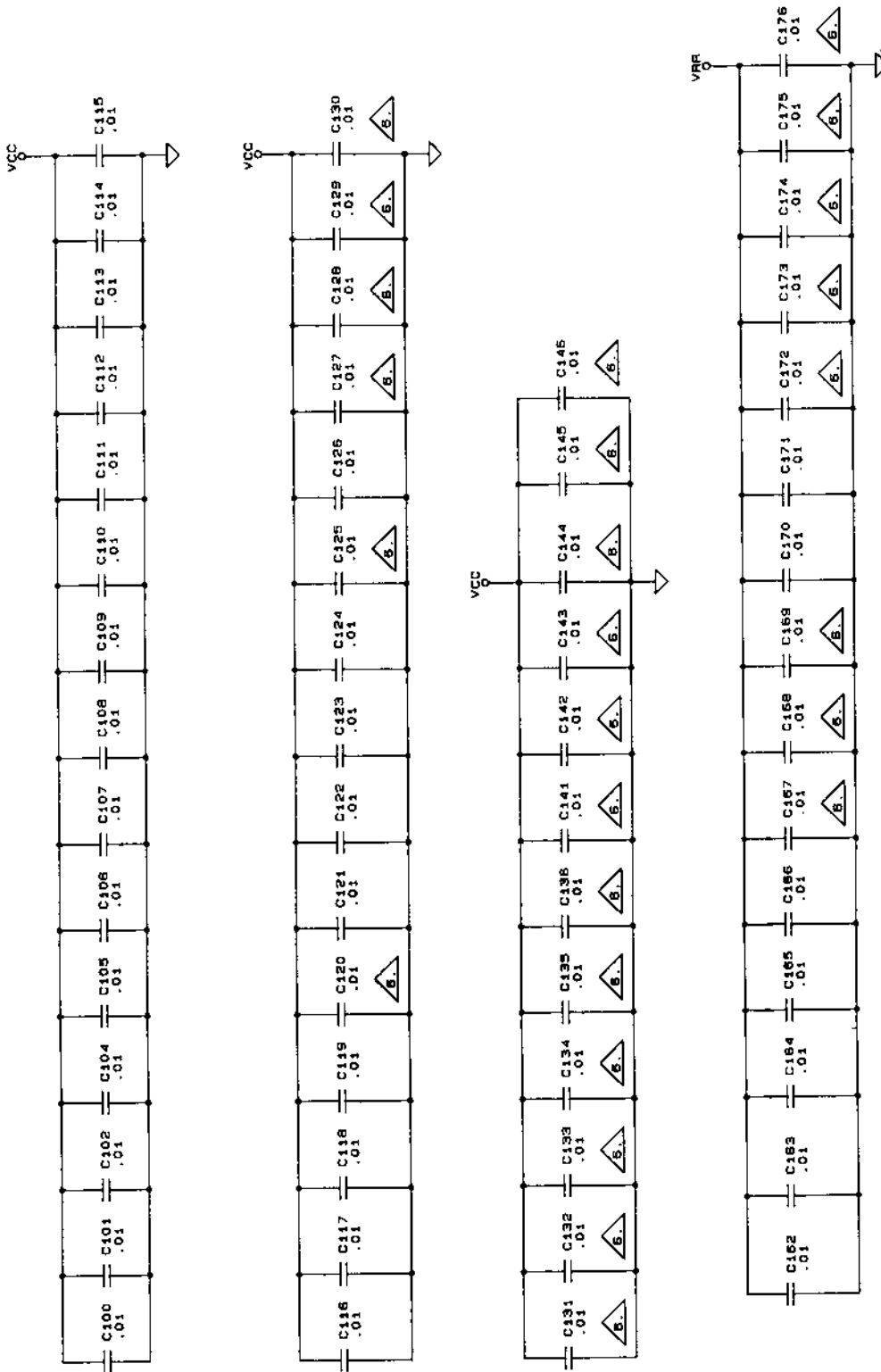


SIZE	CAGE CODE	DOCUMENT NO	REV
B	21793	435072	B
SCALE		SHEET 15	OF 17

RELAY VOLTAGE SELECTOR



SIZE	CAGE CODE	DOCUMENT NO.	REV.
B	21793	435072	B
SCALE		SHEET 16	OF 17



SIZE	CODE IDENT NO.	DOCUMENT NO.	REV.
B	21793	435072	B
SCALE		SHEET 17	OF 17

This page was left intentionally blank.

Chapter 5

PARTS LIST

407366-001, Final Assembly, 1260-50C.....	5-3
407366-002, Final Assembly, 1260-50D.....	5-3
405072-005, PCB Assembly, 1260-50C	5-4
405072-006, PCB Assembly, 1260-50D	5-6
407367-001, Shipping Kit, 1260-50C.....	5-9
407367-002, Shipping Kit, 1260-50D.....	5-9
List of Suppliers.....	5-10

This page was left intentionally blank.

407366-001 - 1260-50C, 200 MHZ RF MUX, 8 1X4

REF DESIG	P/N	DESCRIPTION	FSC	MANUFACTURER'S P/N
{1}1	405072-005	PCB ASSY, 1260-50C	21793	405074-005
{3}1	455779-003	PANEL, SIDE, LEFT	21793	455779-003
{4}1	455781	PANEL, REAR, SINGLE	21793	455781
{5}1	455784-001	PANEL, VXI TOP	21793	455784-001
{6}1	455784-002	PANEL, VXI BOTTOM	21793	455784-002
{7}1	455901	PANEL, RIGHT SIDE	21793	455901
{9}32	615539	SCREW, PFH, 4-40X. 125	-	-
{10}8	616480	SCREW, PFH, 4-40 X .375	-	-
{12}A/R	920962	LOCTITE, 242, MED STR.	05972	272
{14}1	921059	LABEL, CAUTION, STATIC	21793	921059
{22}1	921309	LABEL, VXI SWITCH ID	21793	921309
{23}1	407367-001	SHIP KIT, 1260-50C	21793	407367-001

407366-002 - 1260-50D, 200 MHZ RF MUX, 16 1X4

REF DESIG	P/N	DESCRIPTION	FSC	MANUFACTURER'S P/N
{1}1	405072-006	PCB ASSY, 1260-50D	21793	405072-006
{3}1	455779-003	PANEL, SIDE, LEFT	21793	455779-003
{4}1	455781	PANEL, REAR, SINGLE	21793	455781
{5}1	455784-001	PANEL, VXI TOP	21793	455784-001
{6}1	455784-002	PANEL, VXI BOTTOM	21793	455784-002
{7}1	455901	PANEL, RIGHT SIDE	21793	455901
{9}32	615539	SCREW, PFH, 4-40X. 125	-	-
{10}8	616480	SCREW, PFH, 4-40 X .375	-	-
{12}A/R	920962	LOCTITE, 242, MED STR.	05972	272
{14}1	921059	LABEL, CAUTION, STATIC	21793	921059
{22}1	921309	LABEL, VXI SWITCH ID	21793	921309
{24}1	407367-002	SHIPPING KIT, 1260-50D	21793	407367-002

405072-005 - PCB ASSY., 1260-50C

REF DESIG	P/N	DESCRIPTION	FSC	MANUFACTURER'S P/N
C1-C4	110126	CAP, TANTA, 6.8UF, 35V, 20 PERCENT	05397	T355F685M035A5
C100-C102	R-21-1801	CAP, CHIP, 10 NF	95275	VJ1206Y103MF
C103	110165	CAP, TANTA, .15 MF, 35V, 10PCT	05397	T355A154K035AS
C104-C119	R-21-1801	CAP, CHIP, 10 NF	95275	VJ1206Y103MF
C121-C124	R-21-1801	CAP, CHIP, 10 NF	95275	VJ1206Y103MF
C126	R-21-1801	CAP, CHIP, 10 NF	95275	VJ1206Y103MF
C147-C151	R-21-1801	CAP, CHIP, 10 NF	95275	VJ1206Y103MF
C153	R-21-1801	CAP, CHIP, 10 NF	95275	VJ1206Y103MF
C154	R-21-1801	CAP, CHIP, 10 NF	95275	VJ1206Y103MF
C162-C166	R-21-1801	CAP, CHIP, 10 NF	95275	VJ1206Y103MF
C170	R-21-1801	CAP, CHIP, 10 NF	95275	VJ1206Y103MF
C171	R-21-1801	CAP, CHIP, 10 NF	95275	VJ1206Y103MF
J3	1601925	CONNECTOR, PCB, RECEPT, 3 ROW, 96P	152072	1618008
J4	1601925	CONNECTOR, PCB, RECEPT, 3 ROW, 96P	152072	1618008
J200	1602221-020	CONNECTOR, COAXIAL, RECEPT 20 POSITION, 3 ROW	109922	1MSD20RM-58
J201	1602221-020	CONNECTOR, COAXIAL, RECEPT 20 POSITION, 3 ROW	109922	1MSD20RM-58
K1-K5	1310234	RELAY, 50 OHM COAX, 1 FORM A, 12V	171707	19402-12-03
K6	1310208	RELAY, 2 FORM C	161529	1TQ2E-12V
K7-K11	1310234	RELAY, 50 OHM COAX, 1 FORM A, 12V	171707	19402-12-03
K12	1310208	RELAY, 2 FORM C	161529	1TQ2E-12V
K13-K17	1310234	RELAY, 50 OHM COAX, 1 FORM A, 12V	171707	19402-12-03
K18	1310208	RELAY, 2 FORM C	161529	1TQ2E-12V
K19-K23	1310234	RELAY, 50 OHM COAX, 1 FORM A, 12V	171707	19402-12-03
K24	1310208	RELAY, 2 FORM C	161529	1TQ2E-12V
K25-K29	1310234	RELAY, 50 OHM COAX, 1 FORM A, 12V	171707	19402-12-03
K30	1310208	RELAY, 2 FORM C	161529	1TQ2E-12V
K31-K35	1310234	RELAY, 50 OHM COAX, 1 FORM A, 12V	171707	19402-12-03
K37-K41	1310234	RELAY, 50 OHM COAX, 1 FORM A, 12V	171707	19402-12-03
K42	1310208	RELAY, 2 FORM C	161529	1TQ2E-12V
K43-K47	1310234	RELAY, 50 OHM COAX, 1 FORM A, 12V	171707	19402-12-03
K48	1310208	RELAY, 2 FORM C	161529	1TQ2E-12V
K96	1310234	RELAY, 50 OHM COAX, 1 FORM A, 12V	171707	19402-12-03
L1	1100164	CAP, FEED-THRU, 800PF, 50V	100779	1842448-2
L2	1310193	CHOKER, SHIELDED, 5UH	191637	1IH-5-5-10
L3	1310193	CHOKER, SHIELDED, 5UH	191637	1IH-5-5-10
L4	1100164	CAP, FEED-THRU, 800PF, 50V	100779	1842448-2
L5	1600245	JUMPER, INSULATED	152210	1L-2007-1
P1	1601675-001	CONNECTOR, EUROCARD, 96 PIN MOD.	121793	1601675-001
P2	1601675-001	CONNECTOR, EUROCARD, 96 PIN MOD.	121793	1601675-001
SW1-SW3	1601969	SWITCH, DIP 6 POS, LOW PROFILE	165832	1K406S
TP1	1601197	POST, TEST, .025 SQ	100779	16-87022-6
TP2	1601197	POST, TEST, .025 SQ	100779	16-87022-6
U1	1231131	IC, DIGITAL, SHIFT REGISTER	118324	1PC74HCT164D
U2	1231130	IC, DIGITAL, FLIP FLOP	118324	1PC74HC273
U3	1231098	IC, SOIC TRANSISTOR	156289	1ULN-2803LW
U4	1231120	IC, 8-BIT, PARALLEL/SERIAL OUT S.R.	118324	174HCT166D
U5	1231131	IC, DIGITAL, SHIFT REGISTER	118324	1PC74HCT164D
U6	1231130	IC, DIGITAL, FLIP FLOP	118324	1PC74HC273
U7	1231098	IC, SOIC TRANSISTOR	156289	1ULN-2803LW
U8	1231120	IC, 8-BIT, PARALLEL/SERIAL OUT S.R.	118324	174HCT166D
U9	1231131	IC, DIGITAL, SHIFT REGISTER	118324	1PC74HCT164D
U10	1231130	IC, DIGITAL, FLIP FLOP	118324	1PC74HC273
U11	1231098	IC, SOIC TRANSISTOR	156289	1ULN-2803LW
U12	1231120	IC, 8-BIT, PARALLEL/SERIAL OUT S.R.	118324	174HCT166D
U13	1231131	IC, DIGITAL, SHIFT REGISTER	118324	1PC74HCT164D
U14	1231130	IC, DIGITAL, FLIP FLOP	118324	1PC74HC273
U15	1231098	IC, SOIC TRANSISTOR	156289	1ULN-2803LW
U16	1231120	IC, 8-BIT, PARALLEL/SERIAL OUT S.R.	118324	174HCT166D
U17	1231131	IC, DIGITAL, SHIFT REGISTER	118324	1PC74HCT164D

405072-005 - PCB ASSY., 1260-50C

REF DESIG	P/N	DESCRIPTION	FSC	MANUFACTURER'S P/N
U18	1231130	IC, DIGITAL, FLIP FLOP	18324	PC74HC273
U19	1231098	IC, SOIC TRANSISTOR	56289	ULN-2803LW
U20	1231120	IC, 8-BIT, PARALLEL/SERIAL OUT S.R.	18324	74HCT166D
U21	1231131	IC, DIGITAL, SHIFT REGISTER	18324	PC74HCT164D
U22	1231130	IC, DIGITAL, FLIP FLOP	18324	PC74HC273
U23	1231098	IC, SOIC TRANSISTOR	56289	ULN-2803LW
U24	1231120	IC, 8-BIT, PARALLEL/SERIAL OUT S.R.	18324	74HCT166D
U53	1231153	IC, PROGRAMMED PLA	21793	1231153
U54	1231094	IC, DEMUX DECODER	18324	IN74LS138D
U55	1231094	IC, DEMUX DECODER	18324	IN74LS138D
U56	1231135	IC, DIGITAL, 4-BIT COMPARATOR	18324	PC74HCT85D
U57	1231093	IC, QUAD COMPARATOR	04713	LM339D
U60	1231120	IC, 8-BIT, PARALLEL/SERIAL OUT S.R.	18324	74HCT166D
U61	1231131	IC, DIGITAL, SHIFT REGISTER	18324	PC74HCT164D
U62	1231131	IC, DIGITAL, SHIFT REGISTER	18324	PC74HCT164D
U70	1231152-001	IC, DIGITAL 16L8, PAL	21793	1231152-001
U71	1231147	IC, MULTIPLEXER	04713	74HC253D
U72	1231147	IC, MULTIPLEXER	04713	74HC253D
U73	1231096	IC, QUAD DIFF RECEIVER	01295	AM26LS32ACD
U74	1231096	IC, QUAD DIFF RECEIVER	01295	AM26LS32ACD
U75	1231125	IC, DIGITAL, LINE DRIVER	27014	DS26LS31MN
U76	1231154	IC, PROGRAMMED PLA	21793	1231154
U77	1231147	IC, MULTIPLEXER	04713	74HC253D
Z1	1080119	RES NETWORK, 220K	91637	SOMC-1603-224K
Z2	1080117	RES NETWORK, 16P8R, 47K	73138	628-AL-473J
Z3	1080119	RES NETWORK, 220K	91637	SOMC-1603-224K
Z4	1080117	RES NETWORK, 16P8R, 47K	73138	628-AL-473J
Z5	1080119	RES NETWORK, 220K	91637	SOMC-1603-224K
Z6	1080117	RES NETWORK, 16P8R, 47K	73138	628-AL-473J
Z7	1080119	RES NETWORK, 220K	91637	SOMC-1603-224K
Z8	1080117	RES NETWORK, 16P8R, 47K	73138	628-AL-473J
Z9	1080119	RES NETWORK, 220K	91637	SOMC-1603-224K
Z10	1080117	RES NETWORK, 16P8R, 47K	73138	628-AL-473J
Z11	1080119	RES NETWORK, 220K	91637	SOMC-1603-224K
Z12	1080117	RES NETWORK, 16P8R, 47K	73138	628-AL-473J
Z27	1080114	RES NETWORK, 16P8R, 15K	73138	628-AL-153J
Z28	1080120	RES NETWORK, 10K	11236	767-161R10K
{47}1	1401951	PCB ASSY., LBUS JUMPER	21793	1401951
{48}1	1401951-003	PCB ASSY., P3 JUMPER	21793	1401951-003
{49}1	1415072-002	PCB, 1260-50 (UNLOADED)	21793	1415072-002
{52}A/R	1500022	WIRE, BARE COPPER/TIN, 22 GA	21793	1500022
{53}A/R	1500009	TUBING, SHRINK, .12 ID, BLK	29005	RNF-100-1-1/8
{60}40	1455520	COAX TERMINAL, PCB MOUNT	21793	1455520
{61}A/R	1500254	CABLE, COAXIAL, 50 OHM	92194	9178B
{62}A/R	1610777	CABLE TIE	16956	108-432
{74}4	1611258-001	STANDOFF, SWAGE 4-40 X .170	06540	18091-11B-B-440-28
{81}1	1456123-003	PANEL, FRONT, 1260-50C	21793	1456123-003
{82}1	1456124	BRACKET, CONNECTOR MOUNTING	21793	1456124
{85}40	1602221-901	CONNECTOR, SUBMIN COAX, RECEPT 1 COND.	09922	RCDX60-16D28
{87}1	1611264	HANDLE, EXTRACTOR, BOTTOM	62559	120817-327
{88}1	1611265	HANDLE, EXTRACTOR, TOP	62559	120817-328
{89}.5	1611266	MOUNTING HARDWARE, HANDLE	62559	121100-745
{91}3	1615541	SCREW, PFH, 4-40X.250	-	-
{93}2	1616405	SCREW, PFH, M2.5-.45 X 12	-	-
{95}A/R	1920962	LOCTITE, 242, MED STR.	05972	1272
{96}1	1921148-001	LABEL SET VXI	21793	1921148-001
{97}A/R	1921279	LOCQUIC, PRIMER	05972	174756
{98}A/R	1921280	LOCTITE, HIGH STRENGTH	05972	127121

405072-006 - PCB ASSY., 1260-50D

REF DESIG	P/N	DESCRIPTION	FSC	MANUFACTURER'S P/N
C1-C4	1110126	CAP, TANTA, 6.8UF, 35V, 20 PERCENT	05397	T355F685M035A5
C100-C102	R-21-1801	CAP, CHIP, 10 NF	95275	VJ1206Y103MF
C103	1110165	CAP, TANTA, .15 MF, 35V, 10PCT	05397	T355A154K035AS
C104-C136	R-21-1801	CAP, CHIP, 10 NF	95275	VJ1206Y103MF
C141-C176	R-21-1801	CAP, CHIP, 10 NF	95275	VJ1206Y103MF
J3	1601925	CONNECTOR, PCB, RECEPT, 3 ROW, 96P	52072	1618008
J4	1601925	CONNECTOR, PCB, RECEPT, 3 ROW, 96P	52072	1618008
J200-J203	1602221-020	CONNECTOR, COAXIAL, RECEPT, 20 POSITION, 3ROW	09922	MSD20RM-58
K1-K5	1310234	RELAY, 50 OHM COAX, 1 FORM A, 12V	171707	19402-12-03
K6	1310208	RELAY, 2 FORM C	161529	1TQ2E-12V
K7-K11	1310234	RELAY, 50 OHM COAX, 1 FORM A, 12V	171707	19402-12-03
K12	1310208	RELAY, 2 FORM C	161529	1TQ2E-12V
K13-K17	1310234	RELAY, 50 OHM COAX, 1 FORM A, 12V	171707	19402-12-03
K18	1310208	RELAY, 2 FORM C	161529	1TQ2E-12V
K19-K23	1310234	RELAY, 50 OHM COAX, 1 FORM A, 12V	171707	19402-12-03
K24	1310208	RELAY, 2 FORM C	161529	1TQ2E-12V
K25-K29	1310234	RELAY, 50 OHM COAX, 1 FORM A, 12V	171707	19402-12-03
K30	1310208	RELAY, 2 FORM C	161529	1TQ2E-12V
K31-K35	1310234	RELAY, 50 OHM COAX, 1 FORM A, 12V	171707	19402-12-03
K36	1310208	RELAY, 2 FORM C	161529	1TQ2E-12V
K37-K41	1310234	RELAY, 50 OHM COAX, 1 FORM A, 12V	171707	19402-12-03
K42	1310208	RELAY, 2 FORM C	161529	1TQ2E-12V
K43-K47	1310234	RELAY, 50 OHM COAX, 1 FORM A, 12V	171707	19402-12-03
K48	1310208	RELAY, 2 FORM C	161529	1TQ2E-12V
K49-K53	1310234	RELAY, 50 OHM COAX, 1 FORM A, 12V	171707	19402-12-03
K54	1310208	RELAY, 2 FORM C	161529	1TQ2E-12V
K55-K59	1310234	RELAY, 50 OHM COAX, 1 FORM A, 12V	171707	19402-12-03
K60	1310208	RELAY, 2 FORM C	161529	1TQ2E-12V
K61-K65	1310234	RELAY, 50 OHM COAX, 1 FORM A, 12V	171707	19402-12-03
K66	1310208	RELAY, 2 FORM C	161529	1TQ2E-12V
K67-K71	1310234	RELAY, 50 OHM COAX, 1 FORM A, 12V	171707	19402-12-03
K72	1310208	RELAY, 2 FORM C	161529	1TQ2E-12V
K73-K77	1310234	RELAY, 50 OHM COAX, 1 FORM A, 12V	171707	19402-12-03
K78	1310208	RELAY, 2 FORM C	161529	1TQ2E-12V
K79-K83	1310234	RELAY, 50 OHM COAX, 1 FORM A, 12V	171707	19402-12-03
K84	1310208	RELAY, 2 FORM C	161529	1TQ2E-12V
K85-K89	1310234	RELAY, 50 OHM COAX, 1 FORM A, 12V	171707	19402-12-03
K90	1310208	RELAY, 2 FORM C	161529	1TQ2E-12V
K91-K97	1310234	RELAY, 50 OHM COAX, 1 FORM A, 12V	171707	19402-12-03
L1	1100164	CAP, FEED-THRU, 800PF, 50V	00779	1842448-2
L2	1310193	CHOKE, SHIELDED, 5UH	191637	1IH-5-5-10
L3	1310193	CHOKE, SHIELDED, 5UH	191637	1IH-5-5-10
L4	1100164	CAP, FEED-THRU, 800PF, 50V	00779	1842448-2
L5	1600245	JUMPER, INSULATED	52210	1L-2007-1
P1	1601675-001	CONNECTOR, EUROCARD, 96 PIN MOD.	121793	1601675-001
P2	1601675-001	CONNECTOR, EUROCARD, 96 PIN MOD.	121793	1601675-001
SW1-SW3	1601969	SWITCH, DIP 6 POS, LOW PROFILE	165832	1K406S
TP1	1601197	POST, TEST, .025 SQ	00779	16-87022-6
TP2	1601197	POST, TEST, .025 SQ	00779	16-87022-6
U1	1231131	IC, DIGITAL, SHIFT REGISTER	118324	1PC74HCT164D
U2	1231130	IC, DIGITAL, FLIP FLOP	118324	1PC74HC273
U3	1231098	IC, SOIC TRANSISTOR	156289	1ULN-2803LW
U4	1231120	IC, 8-BIT, PARALLEL/SERIAL OUT S.R.	118324	174HCT166D
U5	1231131	IC, DIGITAL, SHIFT REGISTER	118324	1PC74HCT164D
U6	1231130	IC, DIGITAL, FLIP FLOP	118324	1PC74HC273
U7	1231098	IC, SOIC TRANSISTOR	156289	1ULN-2803LW
U8	1231120	IC, 8-BIT, PARALLEL/SERIAL OUT S.R.	118324	174HCT166D
U9	1231131	IC, DIGITAL, SHIFT REGISTER	118324	1PC74HCT164D
U10	1231130	IC, DIGITAL, FLIP FLOP	118324	1PC74HC273

405072-006 - PCB ASSY., 1260-50D

REF DESIG	P/N	DESCRIPTION	FSC	MANUFACTURER'S P/N
U11	1231098	IC, SOIC TRANSISTOR	156289	ULN-2803LW
U12	1231120	IC, 8-BIT, PARALLEL/SERIAL OUT S.R.	118324	174HCT166D
U13	1231131	IC, DIGITAL, SHIFT REGISTER	118324	1PC74HCT164D
U14	1231130	IC, DIGITAL, FLIP FLOP	118324	1PC74HC273
U15	1231098	IC, SOIC TRANSISTOR	156289	ULN-2803LW
U16	1231120	IC, 8-BIT, PARALLEL/SERIAL OUT S.R.	118324	174HCT166D
U17	1231131	IC, DIGITAL, SHIFT REGISTER	118324	1PC74HCT164D
U18	1231130	IC, DIGITAL, FLIP FLOP	118324	1PC74HC273
U19	1231098	IC, SOIC TRANSISTOR	156289	ULN-2803LW
U20	1231120	IC, 8-BIT, PARALLEL/SERIAL OUT S.R.	118324	174HCT166D
U21	1231131	IC, DIGITAL, SHIFT REGISTER	118324	1PC74HCT164D
U22	1231130	IC, DIGITAL, FLIP FLOP	118324	1PC74HC273
U23	1231098	IC, SOIC TRANSISTOR	156289	ULN-2803LW
U24	1231120	IC, 8-BIT, PARALLEL/SERIAL OUT S.R.	118324	174HCT166D
U25	1231131	IC, DIGITAL, SHIFT REGISTER	118324	1PC74HCT164D
U26	1231130	IC, DIGITAL, FLIP FLOP	118324	1PC74HC273
U27	1231098	IC, SOIC TRANSISTOR	156289	ULN-2803LW
U28	1231120	IC, 8-BIT, PARALLEL/SERIAL OUT S.R.	118324	174HCT166D
U29	1231131	IC, DIGITAL, SHIFT REGISTER	118324	1PC74HCT164D
U30	1231130	IC, DIGITAL, FLIP FLOP	118324	1PC74HC273
U31	1231098	IC, SOIC TRANSISTOR	156289	ULN-2803LW
U32	1231120	IC, 8-BIT, PARALLEL/SERIAL OUT S.R.	118324	174HCT166D
U33	1231131	IC, DIGITAL, SHIFT REGISTER	118324	1PC74HCT164D
U34	1231130	IC, DIGITAL, FLIP FLOP	118324	1PC74HC273
U35	1231098	IC, SOIC TRANSISTOR	156289	ULN-2803LW
U36	1231120	IC, 8-BIT, PARALLEL/SERIAL OUT S.R.	118324	174HCT166D
U37	1231131	IC, DIGITAL, SHIFT REGISTER	118324	1PC74HCT164D
U38	1231130	IC, DIGITAL, FLIP FLOP	118324	1PC74HC273
U39	1231098	IC, SOIC TRANSISTOR	156289	ULN-2803LW
U40	1231120	IC, 8-BIT, PARALLEL/SERIAL OUT S.R.	118324	174HCT166D
U41	1231131	IC, DIGITAL, SHIFT REGISTER	118324	1PC74HCT164D
U42	1231130	IC, DIGITAL, FLIP FLOP	118324	1PC74HC273
U43	1231098	IC, SOIC TRANSISTOR	156289	ULN-2803LW
U44	1231120	IC, 8-BIT, PARALLEL/SERIAL OUT S.R.	118324	174HCT166D
U45	1231131	IC, DIGITAL, SHIFT REGISTER	118324	1PC74HCT164D
U46	1231130	IC, DIGITAL, FLIP FLOP	118324	1PC74HC273
U47	1231098	IC, SOIC TRANSISTOR	156289	ULN-2803LW
U48	1231120	IC, 8-BIT, PARALLEL/SERIAL OUT S.R.	118324	174HCT166D
U53	1231153	IC, PROGRAMMED PLA	121793	1231153
U54	1231094	IC, DEMUX DECODER	118324	1N74LS138D
U55	1231094	IC, DEMUX DECODER	118324	1N74LS138D
U56	1231135	IC, DIGITAL, 4-BIT COMPARATOR	118324	1PC74HCT85D
U57	1231093	IC, QUAD COMPARATOR	104713	1LM339D
U60	1231120	IC, 8-BIT, PARALLEL/SERIAL OUT S.R.	118324	174HCT166D
U61	1231131	IC, DIGITAL, SHIFT REGISTER	118324	1PC74HCT164D
U62	1231131	IC, DIGITAL, SHIFT REGISTER	118324	1PC74HCT164D
U70	1231152-001	IC, DIGITAL 16L8, PAL	121793	1231152-001
U71	1231147	IC, MULTIPLEXER	104713	174HC253D
U72	1231147	IC, MULTIPLEXER	104713	174HC253D
U73	1231096	IC, QUAD DIFF RECEIVER	101295	1AM26LS32ACD
U74	1231096	IC, QUAD DIFF RECEIVER	101295	1AM26LS32ACD
U75	1231125	IC, DIGITAL, LINE DRIVER	127014	1DS26LS31MN
U76	1231154	IC, PROGRAMMED PLA	121793	1231154
U77	1231147	IC, MULTIPLEXER	104713	174HC253D
Z1	1080119	RES NETWORK, 220K	191637	1SOMC-1603-224K
Z2	1080117	RES NETWORK, 16P8R, 47K	173138	1628-AL-473J
Z3	1080119	RES NETWORK, 220K	191637	1SOMC-1603-224K
Z4	1080117	RES NETWORK, 16P8R, 47K	173138	1628-AL-473J
Z5	1080119	RES NETWORK, 220K	191637	1SOMC-1603-224K

405072-006 - PCB ASSY., 1260-50D

REF DESIG	P/N	DESCRIPTION	FSC	MANUFACTURER'S P/N
Z6	1080117	RES NETWORK, 16P8R, 47K	73138	628-AL-473J
Z7	1080119	RES NETWORK, 220K	91637	SOMC-1603-224K
Z8	1080117	RES NETWORK, 16P8R, 47K	73138	628-AL-473J
Z9	1080119	RES NETWORK, 220K	91637	SOMC-1603-224K
Z10	1080117	RES NETWORK, 16P8R, 47K	73138	628-AL-473J
Z11	1080119	RES NETWORK, 220K	91637	SOMC-1603-224K
Z12	1080117	RES NETWORK, 16P8R, 47K	73138	628-AL-473J
Z13	1080119	RES NETWORK, 220K	91637	SOMC-1603-224K
Z14	1080117	RES NETWORK, 16P8R, 47K	73138	628-AL-473J
Z15	1080119	RES NETWORK, 220K	91637	SOMC-1603-224K
Z16	1080117	RES NETWORK, 16P8R, 47K	73138	628-AL-473J
Z17	1080119	RES NETWORK, 220K	91637	SOMC-1603-224K
Z18	1080117	RES NETWORK, 16P8R, 47K	73138	628-AL-473J
Z19	1080119	RES NETWORK, 220K	91637	SOMC-1603-224K
Z20	1080117	RES NETWORK, 16P8R, 47K	73138	628-AL-473J
Z21	1080119	RES NETWORK, 220K	91637	SOMC-1603-224K
Z22	1080117	RES NETWORK, 16P8R, 47K	73138	628-AL-473J
Z23	1080119	RES NETWORK, 220K	91637	SOMC-1603-224K
Z24	1080117	RES NETWORK, 16P8R, 47K	73138	628-AL-473J
Z27	1080114	RES NETWORK, 16P8R, 15K	73138	628-AL-153J
Z28	1080120	RES NETWORK, 10K	11236	767-161R10K
{47}1	1401951	PCB ASSY., LBUS JUMPER	21793	1401951
{48}1	1401951-003	PCB ASSY., P3 JUMPER	21793	1401951-003
{49}1	1415072-002	PCB, 1260-50 (UNLOADED)	21793	1415072-002
{52}A/R	1500022	WIRE, BARE COPPER/TIN, 22 GA	21793	1500022
{53}A/R	1500009	TUBING, SHRINK, .12 ID, BLK	29005	IRNF-100-1-1/8
{60}80	1455520	COAX TERMINAL, PCB MOUNT	21793	1455520
{61}A/R	1500254	CABLE, COAXIAL, 50 OHM	92194	19178B
{62}A/R	1610777	CABLE TIE	16956	108-432
{74}4	1611258-001	STANDOFF, SWAGE 4-40 X .170	06540	18091-11B-B-440-28
{81}1	1456123-004	PANEL, FRONT, 1260-50D	21793	1456123-004
{82}1	1456124	BRACKET, CONNECTOR MOUNTING	21793	1456124
{85}80	1602221-901	CONNECTOR, SUBMIN COAX. RECEPT 1 COND.	109922	1RCDX60-16D28
{87}1	1611264	HANDLE, EXTRACTOR, BOTTOM	62559	120817-327
{88}1	1611265	HANDLE, EXTRACTOR, TOP	62559	120817-328
{89}.5	1611266	MOUNTING HARDWARE, HANDLE	62559	121100-745
{91}3	1615541	SCREW, PFH, 4-40X.250	-	-
{93}2	1616405	SCREW, PFH, M2.5-.45 X 12	-	-
{95}A/R	1920962	LOCTITE, 242, MED STR.	105972	1272
{96}1	1921148-001	LABEL SET VXI	21793	1921148-001
{97}A/R	1921279	LOCQUIC, PRIMER	105972	174756
{98}A/R	1921280	LOCTITE, HIGH STRENGTH	105972	127121

407367-001 - SHIP KIT, 1260-50C

REF DESIG	P/N	DESCRIPTION	FSC	MANUFACTURER'S P/N
{1}2	455540	KEY, LOCKOUT, TTL, A/C	21793	455540
{2}2	455541	KEY, LOCKOUT, TTL, A/C	21793	455541
{3}2	455542	KEY, LOCKOUT, TTL, A/C	21793	455542
{6}2	602220-020	CONNECTOR, COAXIAL, PLUG, 20 POSITION	09922	MSD20PM-118(M
{7}3	615013	SCREW, PPF, 2-56 X .188	-	-
{1}	980673-002	MANUAL, 1260-50C/D	21793	980673-028

407367-002 - SHIP KIT, 1260-50D

REF DESIG	P/N	DESCRIPTION	FSC	MANUFACTURER'S P/N
{1}2	455540	KEY, LOCKOUT, TTL, A/C	21793	455540
{2}2	455541	KEY, LOCKOUT, TTL, A/C	21793	455541
{3}2	455542	KEY, LOCKOUT, TTL, A/C	21793	455542
{6}4	602220-020	CONNECTOR, COAXIAL, PLUG, 20 POSITION	09922	MSD20PM-118(M
{7}3	615013	SCREW, PPF, 2-56 X .188	-	-
{1}	980673-002	MANUAL, 1260-50C/D	21793	980673-028

List of Suppliers

FSC	SUPPLIER	FSC	SUPPLIER
00779	AMP, INC. HARRISBURG, PA	73138	BECKMAN INSTRUMENTS FULLERTON, CA
01295	TEXAS INSTRUMENTS, INC. DALLAS, TX	91637	DALE ELECTRONICS, INC. COLUMBUS, NE
04713	MOTOROLA, INC. (SEMICONDUCTOR PRODUCTS DIV.) PHOENIX, AZ	92194	ALPHA WIRE ELIZABETH, NJ
05397	UNION CARBIDE CORP. (MATERIALS SYSTEMS DIV.) CLEVELAND, OH	95275	VITRAMON, INC. BRIDGEPORT, CT
05972	LOCTITE CORP. HARTFORD, CT		
06540	AMATOM ELECTRONIC HARDWARE NEW ROCHELLE, NY		
11236	CTS OF BERNE, INC. BERNE, IN		
16956	DENNISON MFG. CO. FRAMINGTON, MA		
18324	SIGNETICS, INC. SUNNYVALE, CA		
21793	ASTRONICS TEST SYSTEMS, INC IRVINE, CA		
27014	NATIONAL SEMI-CONDUCTOR CORP. SANTA CLARA, CA		
28198	POSITRONIC INDUSTRIES INC. SPRINGFIELD, MO		
29005	STORM PRODUCTS CO. LOS ANGELES, CA		
52072	CIRCUIT ASSY. CORP. COSTA MESA, CA		
52210	GETTING ENGRG. & MFG. CO. SPRING MILLS, PA		
56289	SPAGUE ELECTRIC CO. N. ADAMS, MA		
61529	AROMAT CORP. CUPERTINO, CA		
62559	SCHROFF, INC. WARWICK, RI		
65832	AMERICAN RESEARCH & ENGINEERING ELGIN, IL		
71707	COTO-COIL CO., INC. PROVIDENCE, RI		

Chapter 6

OPTIONAL HARNESS ASSEMBLIES

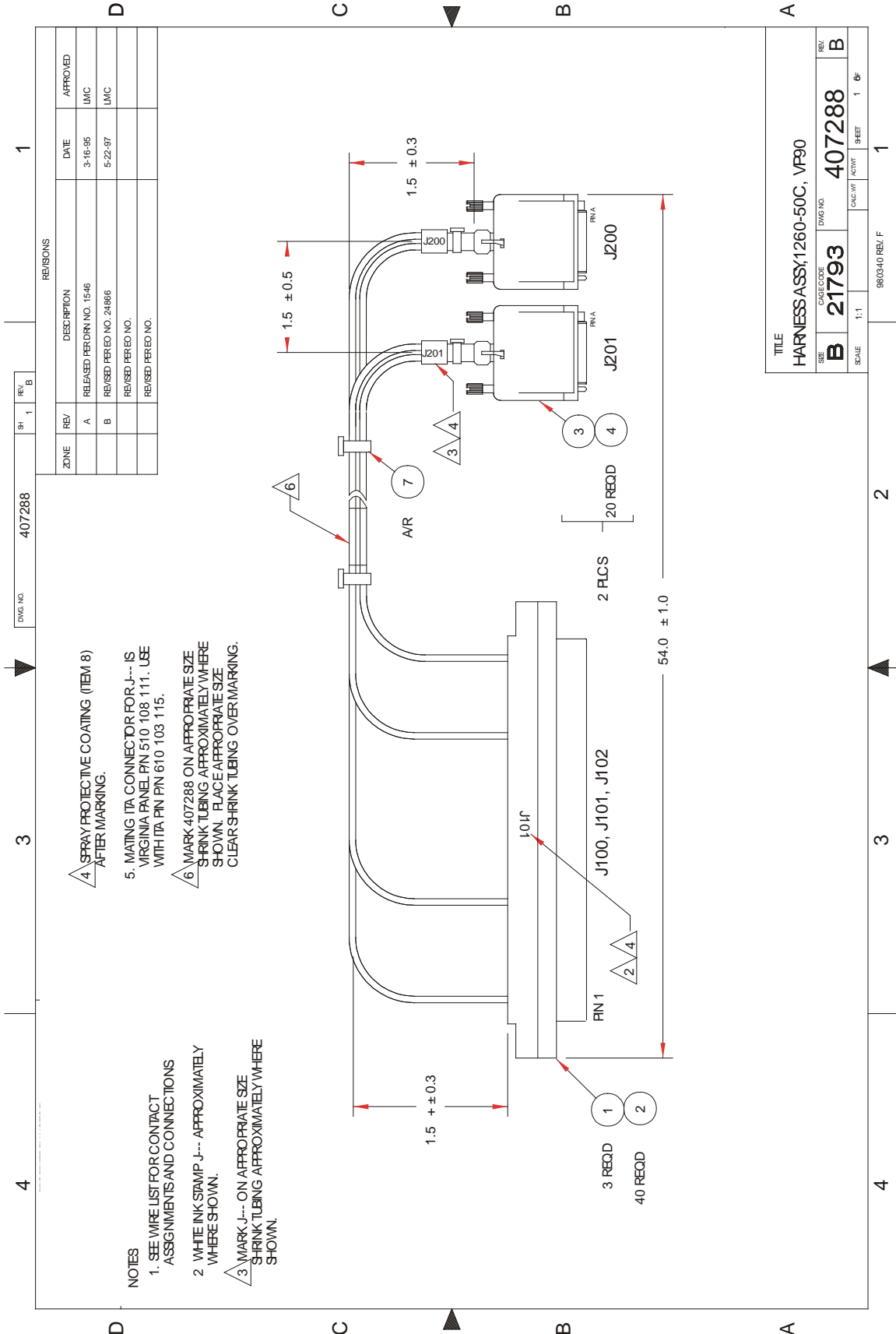
The following harness assemblies are used to connect Racal Instruments Model 1260-50C/D to Freedom Series Test Receiver Interfaces.

Each harness documentation consists of an assembly drawing, parts list, and wire list.

407288, 1260-50C Virginia Panel, Inc. Series VP90 Interface Harness.....	6-3
407289, 1260-50D Virginia Panel, Inc. Series VP90 Interface Harness.....	6-9
407290, 1260-50C TTI Testron, Inc. Interface Harness	6-16
(TTI Receiver must be above chassis)	
407290-002, 1260-50C TTI Testron, Inc. Interface Harness	6-22
(TTI Receiver must be above chassis)	

For more information on Astronics Test Systems' complete line of Test Receiver Interface solutions, contact your Sales Representative.

This page was left intentionally blank.



ENGINEERING PARTS LIST

ITEM	REV	PART NO.	DESCRIPTION	QTY	REEERENCE
1		602201-008	CON-RCV-PLG019C.---S-VP90	3	J100-J102
2		602201-807	PATCHCORD,MINI-COAX,500HM 60"	40	W/J100-J102
3		602220-020	CON-CXL-PLG020C.	2	J200, J201
4		602220-900	CON-CXL-PLG0001C.	40	W/J200, J201
5					
6					
7		610777	TIE-CA-LKG-.062-.074	A/R	
8		910541	POLYURETHANE CONF. COAT	A/R	
9					

DOCUMENT TITLE		SIZE	CODE NO.	DOCUMENT NO.	REV
HARNESS ASSEMBLY, 1260-50C, VP90		A	21793	407288	B
		DRN	SHEET 2 of 6		

ENGINEERING WIRE LIST

WIRE	FROM	TO	TYPE	PART #	WIRE LEN	REFERENCE
	BLK AA (J100)	Uxx-SLOT yy (J200)	CABLE	407288		SYSTEM WIRE LIST
	BLK AA (J101)	Uxx-SLOT yy (J200,J201)	CABLE	407288		
	BLK AA (J102)	Uxx-SLOT yy (J201)	CABLE	407288		

This system wirelist serves as a template for incorporating this harness assembly into the overall system wirelist. It does not in any way affect the fabrication of this harness assembly.

DOCUMENT TITLE	SIZE	CODE NO.	DOCUMENT NO.	REV
HARNESS ASSEMBLY, 1260-50C, VP90	A	21793	407288	B
	DRN		SHEET 3 of 6	

ENGINEERING WIRE LIST

WIRE	FROM	TO	TYPE	PART #	WIRE LEN	REFERENCE
1	J100-1 (602201-008)	J200-A 602220-900	COAX	602201-807	54"	CHANNEL 00
2	J100-2 (602201-008)	J200-B 602220-900	COAX	602201-807	54"	CHANNEL 01
3	J100-3 (602201-008)	J200-C 602220-900	COAX	602201-807	54"	CHANNEL 02
4	J100-4 (602201-008)	J200-D 602220-900	COAX	602201-807	54"	CHANNEL 03
5	J100-5 (602201-008)	J200-E 602220-900	COAX	602201-807	54"	CHANNEL 04
6	J100-6 (602201-008)	J200-F 602220-900	COAX	602201-807	54"	CHANNEL 10
7	J100-7 (602201-008)	J200-H 602220-900	COAX	602201-807	54"	CHANNEL 11
8	J100-8 (602201-008)	J200-3 602220-900	COAX	602201-807	54"	CHANNEL 12
9	J100-9 (602201-008)	J200-K 602220-900	COAX	602201-807	54"	CHANNEL 13
10	J100-10 (602201-008)	J200-L 602220-900	COAX	602201-807	54"	CHANNEL 14
11	J100-11 (602201-008)	J200-M 602220-900	COAX	602201-807	54"	CHANNEL 20
12	J100-12 (602201-008)	J200-N 602220-900	COAX	602201-807	54"	CHANNEL 21
13	J100-13 (602201-008)	J200-P 602220-900	COAX	602201-807	54"	CHANNEL 22
14	J100-14 (602201-008)	J200-R 602220-900	COAX	602201-807	54"	CHANNEL 23
15	J100-15 (602201-008)	J200-S 602220-900	COAX	602201-807	54"	CHANNEL 24
16	J100-16	NO CONNECT				
17	J100-17	NO CONNECT				
18	J100-18	NO CONNECT				
19	J100-19	NO CONNECT				
20	J101-1 (602201-008)	J200-T 602220-900	COAX	602201-807	54"	CHANNEL 30
21	J101-2 (602201-008)	J200-U 602220-900	COAX	602201-807	54"	CHANNEL 31
22	J101-3 (602201-008)	J200-V 602220-900	COAX	602201-807	54"	CHANNEL 32
23	J101-4 (602201-008)	J200-W 602220-900	COAX	602201-807	54"	CHANNEL 33
24	J101-5 (602201-008)	J200-X 60222Q-900	COAX	602201-807	54"	CHANNEL 34
25	J101-6 (602201-008)	J201-A 602220-900	COAX	602201-807	54"	CHANNEL 40
DOCUMENT TITLE						
HARNESS ASSEMBLY, 1260-50C, VP90			SIZE	CODE NO.	DOCUMENT NO.	REV
			A	21793	407288	B
			DRN	SHEET 4 of 6		

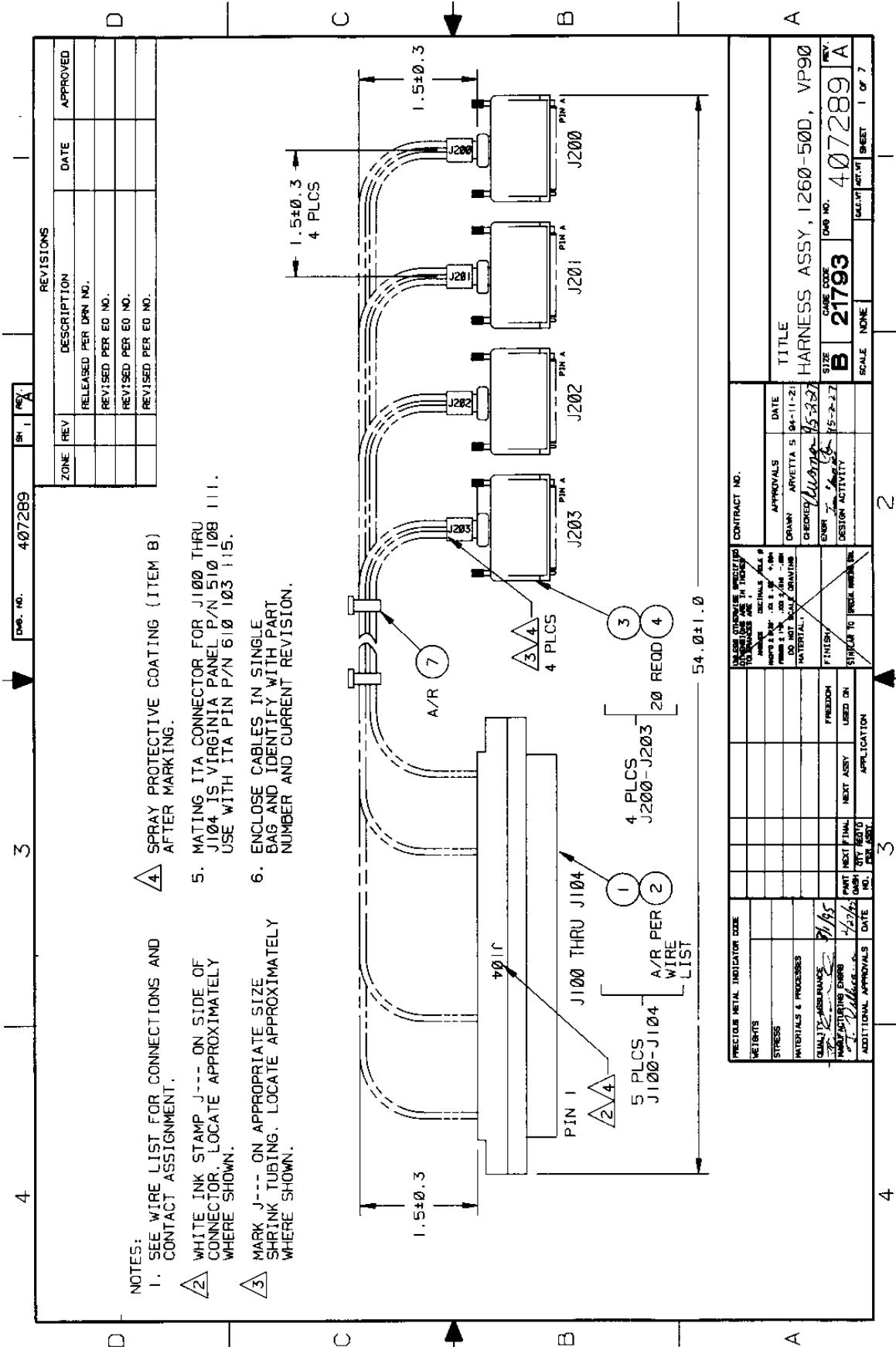
ENGINEERING WIRE LIST

WIRE	FROM	TO	TYPE	PART	WIRE LEN	REFERENCE
26	J101-7 (602201-008)	J201-B 602220-900	COAX	602201-807	54"	CHANNEL 41
27	J101-8 (602201-008)	J201-C 602220-900	COAX	602201-807	54"	CHANNEL 42
28	J101-9 (602201-008)	J201-D 602220-900	COAX	602201-807	54"	CHANNEL 43
29	J101-10 (602201-008)	J201-E 602220-900	COAX	602201-807	54"	CHANNEL 44
30	J101-11 (602201-008)	J201-F 602220-900	COAX	602201-807	54"	CHANNEL 50
31	J101-12 (602201-008)	J201-H 602220-900	COAX	602201-807	54"	CHANNEL 51
32	J101-13 (602201-008)	J201-3 602220-900	COAX	602201-807	54"	CHANNEL 52
33	J101-14 (602201-008)	J201-K 602220-900	COAX	602201-807	54"	CHANNEL 53
34	J101-15 (602201-008)	J201-L 602220-900	COAX	602201-807	54"	CHANNEL 54
35	J101-16	NO CONNECT				
36	J101-17	NO CONNECT				
37	J101-18	NO CONNECT				
38	J101-19	NO CONNECT				
39	J102-1 (602201-008)	J201-M 602220-900	COAX	602201-807	54"	CHANNEL 60
40	J102-2 (602201-008)	J201-N 602220-900	COAX	602201-807	54"	CHANNEL 61
41	J102-3 (602201-008)	J201-P 602220-900	COAX	602201-807	54"	CHANNEL 62
42	J102-4 (602201-008)	J201-R 602220-900	COAX	602201-807	54"	CHANNEL 63
43	J102-5 (602201-008)	J201-S 602220-900	COAX	602201-807	54"	CHANNEL 64
44	J102-6 (602201-008)	J201-T 602220-900	COAX	602201-807	54"	CHANNEL 70
45	J102-7 (602201-008)	J201-U 602220-900	COAX	602201-807	54"	CHANNEL 71
46	J102-8 (602201-008)	J201-V 602220-900	COAX	602201-807	54"	CHANNEL 72
47	J102-9 (602201-008)	J201-W 602220-900	COAX	602201-807	54"	CHANNEL 73
48	J102-10 (602201-008)	J201-X 602220-900	COAX	602201-807	54"	CHANNEL 74
49	J102-11	NO CONNECT				
50	J102-12	NO CONNECT				
DOCUMENT TITLE						
HARNESS ASSEMBLY, 1260-50C, VP90			SIZE	CODE NO.	DOCUMENT NO.	REV
			A	21793	407288	B
DRN					SHEET 5 of 6	

ENGINEERING WIRE LIST

WIRE	FROM	TO	TYPE	PART #	WIRE LEN	REFERENCE
51	J102-13	NO CONNECT				
52	J102-14	NO CONNECT				
53	J102-15	NO CONNECT				
54	J102-16	NO CONNECT				
55	J102-17	NO CONNECT				
56	J102-18	NO CONNECT				
57	J102-19	NO CONNECT				

DOCUMENT TITLE	SIZE	CODE NO.	DOCUMENT NO.	REV
HARNESS ASSEMBLY, 1260-50C, VP90	A	21793	407288	B
DRN			SHEET 6 of 6	



ENGINEERING PARTS LIST

ITEM	BIN	PART NO.	DESCRIPTION	QTY	REFERENCE
1		602201-008	CON-RCV-PLG019C.---S-VP90	5	J100-J104
2		602201-807	PATCHCORD,MINICOAX,500HM 60"	80	W/J100-J104
3		602220-020	CON-CXL-PLG020C	4	J200-J203
4		602220-900	CON-CXL-PLG0001C.	80	W/J200-J203
5					
6					
7		610777	TIE-CA-LKG-.062,.075	A/R	
8		910541	POLYURETHANE CONF. COAT	A/R	

DOCUMENT TITLE		SIZE	CODE NO.	DOCUMENT NO.	REV
HARNESS ASSEMBLY, 1260-50D, VP90		A	21793	407289	A
DRN		SHEET 2 of 7			

ENGINEERING WIRE LIST

WIRE	FROM	TO	TYPE	PART #	WIRE LEN	REFERENCE
	BLK AA (J100)	Uxx-SLOT yy (J200)	CABLE	407289		SYSTEM WIRE LIST
	BLK AA (J101)	Uxx-SLOT yy (J200,J201)	CABLE	407289		
	BLK AA (J102)	Uxx-SLOT yy (J201 ,J202)	CABLE	407289		
	BLK AA (J103)	Yxx-SLOT yy (J202,J203)	CABLE	407289		
	BLK AA (J104)	Uxx-SLOT yy (J203)	CABLE	407289		

This system wirelist serves as a template for incorporating this harness assembly into the overall system wirelist. It does not in any way affect the fabrication of this harness assembly.

DOCUMENT TITLE		SIZE	CODE NO.	DOCUMENT NO.	REV
HARNESS ASSEMBLY, 1260-50D, VP90		A	21793	407289	A
DRN				SHEET 3 of 7	

ENGINEERING WIRE LIST

WIRE	FROM	TO	TYPE	PART #	WIRE LEN	REFERENCE
1	J100-1 (602201-008)	J200-A 602220-900	COAX	602201-807	54"	CHANNEL 00
2	J100-2 (602201-008)	J200-B 602220-900	COAX	602201-807	54"	CHANNEL 01
3	J100-3 (602201-008)	J200-C 602220-900	COAX	602201-807	54"	CHANNEL 02
4	J100-4 (602201-008)	J200-D 602220-900	COAX	602201-807	54"	CHANNEL 03
5	J100-5 (602201-008)	J200-E 602220-900	COAX	602201-807	54"	CHANNEL 04
6	J100-6 (602201-008)	J200-F 602220-900	COAX	602201-807	54"	CHANNEL 10
7	J100-7 (602201-008)	J200-H 602220-900	COAX	602201-807	54"	CHANNEL 11
8	J100-8 (602201-008)	J200-J 602220-900	COAX	602201-807	54"	CHANNEL 12
9	J100-9 (602201-008)	J200-K 602220-900	COAX	602201-807	54"	CHANNEL 13
10	J100-10 (602201-008)	J200-L 602220-900	COAX	602201-807	54"	CHANNEL 14
11	J100-11 (602201-008)	J200-M 602220-900	COAX	602201-807	54"	CHANNEL 20
12	J100-12 (602201-008)	J200-N 602220-900	COAX	602201-807	54"	CHANNEL 21
13	J100-13 (602201-008)	J200-P 602220-900	COAX	602201-807	54"	CHANNEL 22
14	J100-14 (602201-008)	J200-R 602220-900	COAX	602201-807	54"	CHANNEL 23
15	J100-15 (602201-008)	J200-S 602220-900	COAX	602201-807	54"	CHANNEL 24
16	J100-16 NO CONNECT					
17	J100-17 NO CONNECT					
18	J100-18 NO CONNECT					
19	J100-19 NO CONNECT					
20	J101-1 (602201-008)	J200-T 602220-900	COAX	602201-807	54"	CHANNEL 30
21	J101-2 (602201-008)	J200-U 602220-900	COAX	602201-807	54"	CHANNEL 31
22	J101-3 (602201-008)	J200-V 602220-900	COAX	602201-807	54"	CHANNEL 32
23	J101-4 (602201-008)	J200-W 602220-900	COAX	602201-807	54"	CHANNEL 33
24	J101-5 (602201-008)	J200-X 602220-900	COAX	602201-807	54"	CHANNEL 34
DOCUMENT TITLE						
HARNESS ASSEMBLY, 1260-50D, VP90			SIZE	CODE NO.	DOCUMENT NO.	REV
			A	21793	407289	A
DRN					SHEET 4 of 7	

ENGINEERING WIRE LIST

WIRE	FROM	TO	TYPE	PART #	WIRE LEN	REFERENCE
25	J101-6 (602201-008)	J201-A 602220-900	COAX	602201-807	54"	CHANNEL 40
26	J101-7 (602201-008)	J201-B 602220-900	COAX	602201-807	54"	CHANNEL 41
27	J101-8 (602201-008)	J20 1-C 602220-900	COAX	602201-807	54"	CHANNEL 42
28	J101-9 (602201-008)	J201-D 602220-900	COAX	602201-807	54"	CHANNEL 43
29	J101-10 (602201-008)	J201-E 602220-900	COAX	602201-807	54"	CHANNEL 44
30	J101-11 (602201-008)	J201-F 602220-900	COAX	602201-807	54"	CHANNEL 50
31	J101-12 (602201-008)	J201-H 602220-900	COAX	602201-807	54"	CHANNEL 51
32	J101-13 (602201-008)	J201-J 602220-900	COAX	602201-807	54"	CHANNEL 52
33	J101-14 (602201-008)	J201-K 602220-900	COAX	602201-807	54"	CHANNEL 53
34	J101-15 (602201-008)	J201-L 602220-900	COAX	602201-807	54"	CHANNEL 54
35	J101-16 NO CONNECT					
36	J101-17 NO CONNECT					
37	J101-18 NO CONNECT					
38	J101-19 NO CONNECT					
39	J102-1 (602201-008)	J201-M 602220-900	COAX	602201-807	54"	CHANNEL 60
40	J102-2 (602201-008)	J201-N 602220-900	COAX	602201-807	54"	CHANNEL 61
41	J102-3 (602201-008)	J20 1-P 602220-900	COAX	602201-807	54"	CHANNEL 62
42	J102-4 (602201-008)	J201-R 602220-900	COAX	602201-807	54"	CHANNEL 63
43	J102-5 (602201-008)	J20 1-S 602220-900	COAX	602201-807	54"	CHANNEL 64
44	J102-6 (602201-008)	J201-T 602220-900	COAX	602201-807	54"	CHANNEL 70
45	J102-7 (602201-008)	J201-U 602220-900	COAX	602201-807	54"	CHANNEL 71
46	J102-8 (602201-008)	J20 1-V 602220-900	COAX	602201-807	54"	CHANNEL 72
47	J102-9 (602201-008)	J201-W 602220-900	COAX	602201-807	54"	CHANNEL 73
48	J102-10 (602201-008)	J201-X 602220-900	COAX	602201-807	54"	CHANNEL 74
			SIZE	CODE NO.	DOCUMENT NO.	REV
HARNESS ASSEMBLY, 1260-50D, VP90			A	21793	407289	A
			DRN	SHEET 5 of 7		

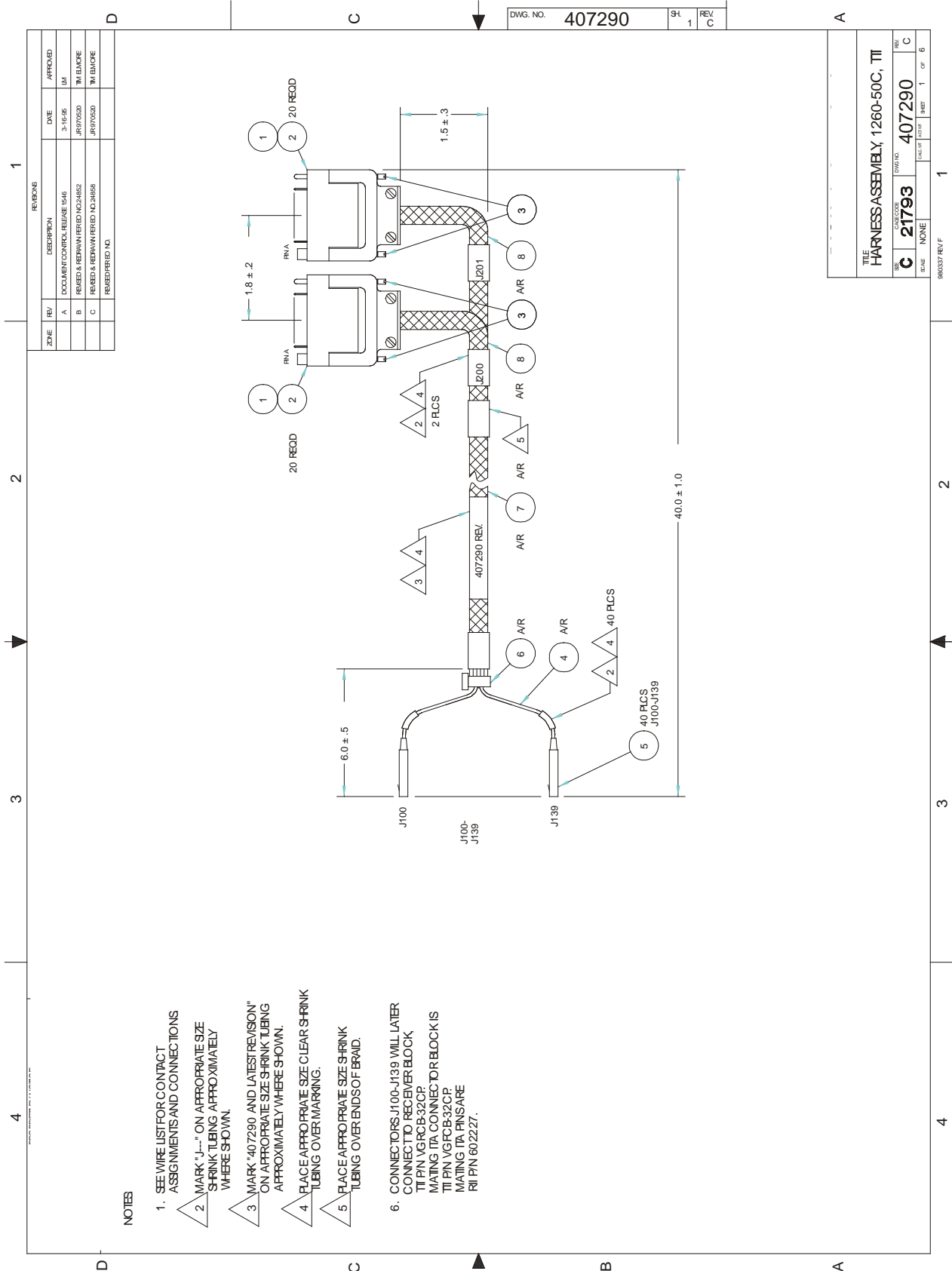
ENGINEERING WIRE LIST

WIRE	FROM	TO	TYPE	PART #	WIRE LEN	REFERENCE
49	J102-11 (602201-008)	J202-A 602220-900	COAX	602201-807	54"	CHANNEL 80
50	J102-12 (602201-008)	J202-B 602220-900	COAX	602201-807	54"	CHANNEL 81
51	J102-13 (602201-008)	J202-C 602220-900	COAX	602201-807	54"	CHANNEL 82
52	J102-14 (602201-008)	J202-D 602220-900	COAX	602201-807	54"	CHANNEL 83
53	J102-15 (602201-008)	J202-E 602220-900	COAX	602201-807	54"	CHANNEL 84
54	J102-16 NO CONNECT					
55	J102-17 NO CONNECT					
56	J102-18 NO CONNECT					
57	J102-19 NO CONNECT					
58	J103-1 (602201-008)	J202-F 602220-900	COAX	602201-807	54"	CHANNEL 90
59	J103-2 (602201-008)	J202-H 602220-900	COAX	602201-807	54"	CHANNEL 91
60	J103-3 (602201-008)	J202-J 602220-900	COAX	602201-807	54"	CHANNEL 92
61	J103-4 (602201-008)	J202-K 602220-900	COAX	602201-807	54"	CHANNEL 93
62	J103-5 (602201-008)	J202-L 602220-900	COAX	602201-807	54"	CHANNEL 94
63	J103-6 (602201-008)	J202-M 602220-900	COAX	602201-807	54"	CHANNEL 100
64	J103-7 (602201-008)	J202-N 602220-900	COAX	602201-807	54"	CHANNEL 101
65	J103-8 (602201-008)	J202-P 602220-900	COAX	602201-807	54"	CHANNEL 102
66	J103-9 (602201-008)	J202-R 602220-900	COAX	602201-807	54"	CHANNEL 103
67	J103-10 (602201-008)	J202-S 602220-900	COAX	602201-807	54"	CHANNEL 104
68	J103-11 (602201-008)	J202-T 602220-900	COAX	602201-807	54"	CHANNEL 110
69	J103-12 (602201-008)	J202-U 602220-900	COAX	602201-807	54"	CHANNEL 111
70	J103-13 (602201-008)	J202-V 602220-900	COAX	602201-807	54"	CHANNEL 112
71	J103-14 (602201-008)	J202-W 602220-900	COAX	602201-807	54"	CHANNEL 113
DOCUMENT TITLE						
HARNESS ASSEMBLY, 1260-50D, VP90			SIZE A	CODE NO. 21793	DOCUMENT NO. 407289	REV A
DRN					SHEET 6 of 7	

ENGINEERING WIRE LIST

WIRE	FROM	TO	TYPE	PART #	WIRE LEN	REFERENCE
72	J103-15 (602201-008)	J202-X 602220-900	COAX	602201-807	54"	CHANNEL 114
73	J103-16 NO CONNECT					
74	J103-17 (602201-008)	J203-T 602220-900	COAX	602201-807	54"	CHANNEL 150
75	J103-18 (602201-008)	J203-U 602220-900	COAX	602201-807	54"	CHANNEL 151
76	J103-19 (602201-008)	J203-V 602220-900	COAX	602201-807	54"	CHANNEL 152
77	J104-1 (602201-008)	J203-A 602220-900	COAX	602201-807	54"	CHANNEL 120
78	J104-2 (602201-008)	J203-B 602220-900	COAX	602201-807	54"	CHANNEL 121
79	J104-3 (602201-008)	J203-C 602220-900	COAX	602201-807	54"	CHANNEL 122
80	J104-4 (602201-008)	J203-D 602220-900	COAX	602201-807	54"	CHANNEL 123
81	J104-5 (602201-008)	J203-E 602220-900	COAX	602201-807	54"	CHANNEL 124
82	J104-6 (602201-008)	J203-F 602220-900	COAX	602201-807	54"	CHANNEL 130
83	J104-7 (602201-008)	J203-H 602220-900	COAX	602201-807	54"	CHANNEL 131
84	J104-8 (602201-008)	J203-J 602220-900	COAX	602201-807	54"	CHANNEL 132
85	J104-9 (602201-008)	J203-K 602220-900	COAX	602201-807	54"	CHANNEL 133
86	J104-10 (602201-008)	J203-L 602220-900	COAX	602201-807	54"	CHANNEL 134
87	J104-11 (602201-008)	J203-M 602220-900	COAX	602201-807	54"	CHANNEL 140
88	J104-12 (602201-008)	J203-N 602220-900	COAX	602201-807	54"	CHANNEL 141
89	J104-13 (602201-008)	J203-P 602220-900	COAX	602201-807	54"	CHANNEL 142
90	J104-14 (602201-008)	J203-R 602220-900	COAX	602201-807	54"	CHANNEL 143
91	J104-15 (602201-008)	J203-S 602220-900	COAX	602201-807	54"	CHANNEL 144
92	J104-16 NO CONNECT					
93	J104-17 NO CONNECT					
94	J104-18 (602201-008)	J203-W 602220-900	COAX	602201-807	54"	CHANNEL 153
95	J104-19 (602201-008)	J203-X 602220-900	COAX	602201-807	54"	CHANNEL 154

DOCUMENT TITLE		SIZE	CODE NO.	DOCUMENT NO.	REV
HARNESS ASSEMBLY, 1260-50D, VP90		A	21793	407289	A
DRN				SHEET 7 of 7	



ENGINEERING PARTS LIST

ITEM	REV	PART NO.	DESCRIPTION	QTY	REFERENCE
1		602220-020	CON-CXL-PLG020C.	2	J200-J201
2		602220-900	CON-CXL-PLG0001C.	40	W/J200-J201
3		611376	JACKSCREW, SHORT TURN, GMCT	2	W/J200-J201
4		500295	CACX-SHD-01C26G-1STR-50 OHM	A/R	
5		602196-900	CONTACT,CXL,MINI,TTI	40	J100-J139
6		610777	TIE-CA-LKG-.062-.075	A/R	
7		GRP-110-3/4	SLEEVING,BRMDED POLY,3/4	A/R	
8		GRP-110-1/2	SLEEVING,BRAIDED POLY,1/2	A/R	

DOCUMENT TITLE	SIZE	CODE NO.	DOCUMENT NO.	REV
HARNESS ASSEMBLY, 1260-50C, TTI	A	21793	407290	C
	DRN		SHEET 2 of 6	

ENGINEERING WIRE LIST

WIRE	FROM	TO	TYPE	PART #	WIRE LEN	REFERENCE
	BLK AAx PN 01 (J100)	Uxx-SLOT yy (J200)	CABLE	407290		SYSTEM WIRE LIST
	BLK AAx PN 02 (J101)	Uxx-SLOT yy (J200)	CABLE	407290		
	BLK AAx PN 03 (J102)	Uxx-SLOT yy (J200)	CABLE	407290		
	BLK AAx PN 04 (J103)	Uxx-SLOT yy (J200)	CABLE	407290		
	BLK AAx PN 05 (J104)	Uxx-SLOT yy (J200)	CABLE	407290		
	BLK AAx PN 06 (J105)	Uxx-SLOT yy (J200)	CABLE	407290		
	BLK AAx PN 07 (J106)	Uxx-SLOT yy (J200)	CABLE	407290		
	BLK AAx PN 08 (J107)	Uxx-SLOT yy (J200)	CABLE	407290		
	BLK AAx PN 09 (J108)	Uxx-SLOT yy (J200)	CABLE	407290		
	BLK AAx PN 10 (J109)	Uxx-SLOT yy (J200)	CABLE	407290		
	BLK AAx PN 11 (J100)	Uxx-SLOT yy (J200)	CABLE	407290		
	BLK AAx PN 12 (J111)	Uxx-SLOT yy (J200)	CABLE	407290		
	BLK AAx PN 13 (J112)	Uxx-SLOT yy (J200)	CABLE	407290		
	BLK AAx PN 14 (J113)	Uxx-SLOT yy (J200)	CABLE	407290		
	BLK AAx PN 15 (J114)	Uxx-SLOT yy (J200)	CABLE	407290		
	BLK AAx PN 16 (J115)	Uxx-SLOT yy (J200)	CABLE	407290		
	BLK AAx PN 17 (J116)	Uxx-SLOT yy (J200)	CABLE	407290		
	BLK AAx PN 18 (J117)	Uxx-SLOT yy (J200)	CABLE	407290		
	BLK AAx PN 19 (J118)	Uxx-SLOT yy (J200)	CABLE	407290		
	BLK AAx PN 20 (J119)	Uxx-SLOT yy (J200)	CABLE	407290		
	BLK AAx PN 21 (J120)	Uxx-SLOT yy (J201)	CABLE	407290		
	BLK AAx PN 22 (J121)	Uxx-SLOT yy (J201)	CABLE	407290		
	BLK AAx PN 23 (J122)	Uxx-SLOT yy (J201)	CABLE	407290		
	BLK AAx PN 24 (J123)	Uxx-SLOT yy (J201)	CABLE	407290		
	BLK AAx PN 25 (J124)	Uxx-SLOT yy (J201)	CABLE	407290		
DOCUMENT TITLE						
HARNESS ASSEMBLY, 1260-50C, TTI			SIZE	CODE NO.	DOCUMENT NO.	REV
			A	21793	407290	C
			DRN	SHEET 3 of 6		

ENGINEERING WIRE LIST

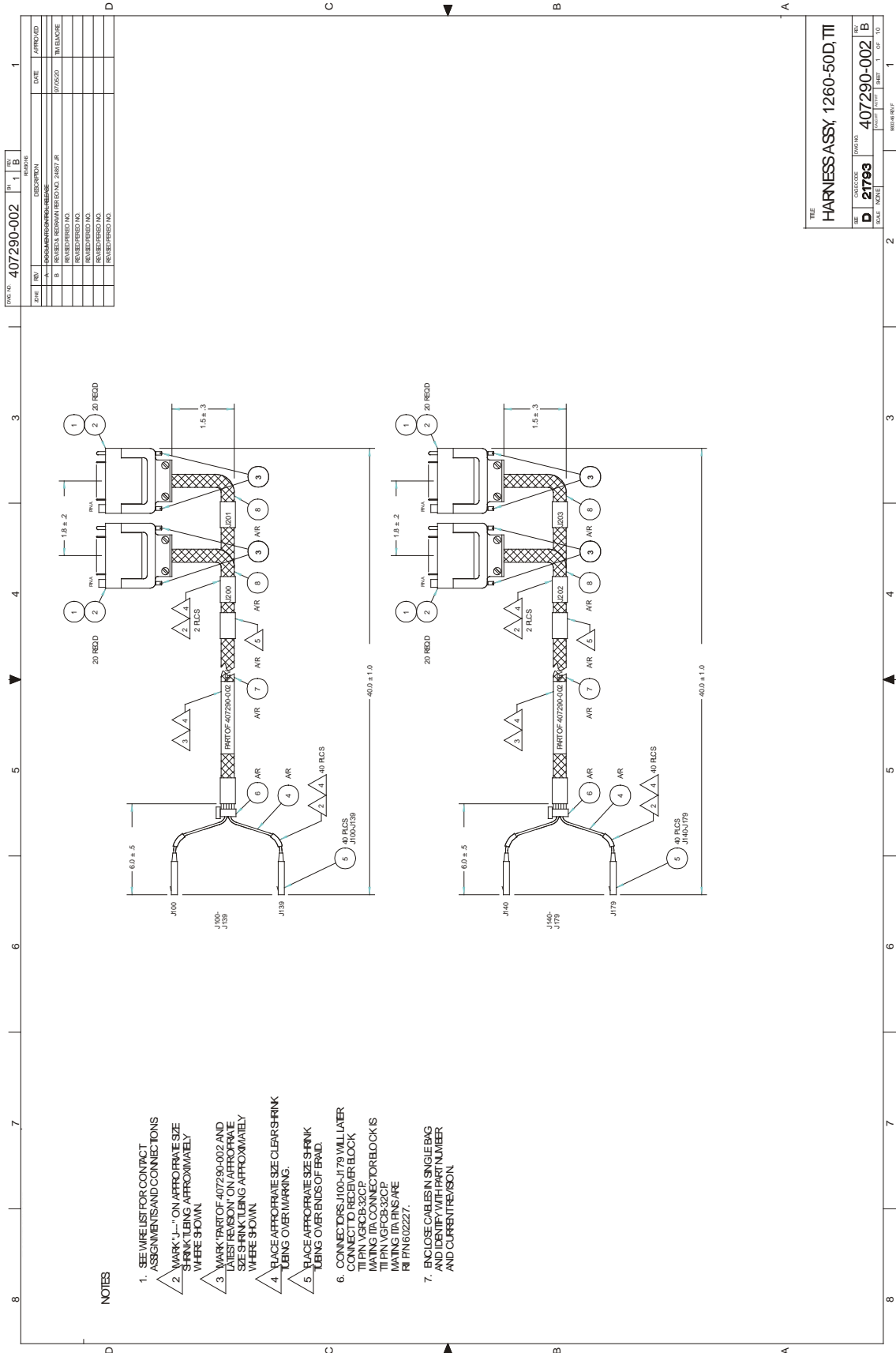
WIRE	FROM	TO	TYPE	PART #	WIRE LEN	REFERENCE
	BLK AAx PN 26 (J125)	Uxx-SLOT yy (J201)	CABLE	407290		
	BLK AAx PN 27 (J126)	Uxx-SLOT yy (J201)	CABLE	407290		
	BLK AAx PN 28 (J127)	Uxx-SLOT yy (J201)	CABLE	407290		
	BLK AAx PN 29 (J128)	Uxx-SLOT yy (J201)	CABLE	407290		
	BLK AAx PN 30 (J129)	Uxx-SLOT yy (J201)	CABLE	407290		
	BLK AAx PN 31 (J130)	Uxx-SLOT yy (J201)	CABLE	407290		
	BLK AAx PN 32 (J131)	Uxx-SLOT yy (J201)	CABLE	407290		
	BLK AAx PN 33 (J132)	Uxx-SLOT yy (J201)	CABLE	407290		
	BLK AAx PN 34 (J133)	Uxx-SLOT yy (J201)	CABLE	407290		
	BLK AAx PN 35 (J134)	Uxx-SLOT yy (J201)	CABLE	407290		
	BLK AAx PN 36 (J135)	Uxx-SLOT yy (J201)	CABLE	407290		
	BLK AAx PN 37 (J136)	Uxx-SLOT yy (J201)	CABLE	407290		
	BLK AAx PN 30 (J137)	Uxx-SLOT yy (J201)	CABLE	407290		
	BLK AAx PN 39 (J138)	Uxx-SLOT yy (J201)	CABLE	407290		
	BLK AAx PN 40 (J139)	Uxx-SLOT yy (J201)	CABLE	407290		
This system wirelist serves as a template for incorporating this harness assembly into the overall system wirelist. It does not in any way affect the fabrication of this harness assembly.						
DOCUMENT TITLE			SIZE	CODE NO.	DOCUMENT NO.	REV
HARNESS ASSEMBLY, 1260-50C, TTI			A	21793	407290	C
			DRN		SHEET 4 of 6	

ENGINEERING WIRE LIST

WIRE	FROM	TO	TYPE	PART #	WIRE LEN	REFERENCE
1	J100 602196-900	J200-A 602220-900	COAX	500295	40"	CHANNEL 00
2	J101 602196-900	J200-B 602220-900	COAX	500295	40"	CHANNEL 01
3	J102 602196-900	J200-C 602220-900	COAX	500295	40"	CHANNEL 02
4	J103 602196-900	J200-D 602220-900	COAX	500295	40"	CHANNEL 03
5	J104 602196-900	J200-E 602220-900	COAX	500295	40"	CHANNEL 04
6	J105 602196-900	J200-F 602220-900	COAX	500295	40"	CHANNEL 10
7	J106 602196-900	J200-H 602220-900	COAX	500295	40"	CHANNEL 11
8	J107 602196-900	J2004 602220-900	COAX	500295	40"	CHANNEL 12
9	J108 602196-900	J200-K 602220-900	COAX	500295	40"	CHANNEL 13
10	J109 602196-900	J200-L 602220-900	COAX	500295	40"	CHANNEL 14
11	J110 602196-900	J200-M 602220-900	COAX	500295	40"	CHANNEL 20
12	J111 602196-900	J200-N 602220-900	COAX	500295	40"	CHANNEL 21
13	J112 602196-900	J200-P 602220-900	COAX	500295	40"	CHANNEL 22
14	J113 602196-900	J200-R 602220-900	COAX	500295	40"	CHANNEL 23
15	J114 602196-900	J200-S 602220-900	COAX	500295	40"	CHANNEL 24
16	J115 602196-900	J200-T 602220-900	COAX	500295	40"	CHANNEL 30
17	J116 602196-900	J200-U 602220-900	COAX	500295	40"	CHANNEL 31
18	J117 602196-900	J200-V 602220-900	COAX	500295	40"	CHANNEL 32
19	J118 602196-900	J200-W 602220-900	COAX	500295	40"	CHANNEL 33
20	J119 602196-900	J200-X 602220-900	COAX	500295	40"	CHANNEL 34
21	J120 602196-900	J201-A 602220-900	COAX	500295	40"	CHANNEL 40
22	J121 602196-900	J201-B 602220-900	COAX	500295	40"	CHANNEL41
23	J122 602196-900	J201-C 602220-900	COAX	500295	40"	CHANNEL 42
24	J123 602196-900	J201-D 602220-900	COAX	500295	40"	CHANNEL 43
25	J124 602196-900	J201-E 602220-900	COAX	500295	40"	CHANNEL 44
DOCUMENT TITLE						
HARNESS ASSEMBLY, 1260-50C, TTI			SIZE	CODE NO.	DOCUMENT NO.	REV
			A	21793	407290	C
DRN					SHEET 5 of 6	

ENGINEERING WIRE LIST

WIRE	FROM	TO	TYPE	PART #	WIRE LEN	REFERENCE
26	J125 602196-900	J201-F 602220-900	COAX	500295	40"	CHANNEL 50
27	J126 602196-900	J201-H 602220-900	COAX	500295	40"	CHANNEL 51
28	J127 602196-900	J201-1 602220-900	COAX	500295	40"	CHANNEL 52
29	J128 602196-900	J201-K 602220-900	COAX	500295	40"	CHANNEL 53
30	J129 602196-900	J201-L 602220-900	COAX	500295	40"	CHANNEL 54
31	J130 602196-900	J201-M 602220-900	COAX	500295	40"	CHANNEL 60
32	J131 602196-900	J201-N 602220-900	COAX	500295	40"	CHANNEL 61
33	J132 602196-900	J201-P 602220-900	COAX	500295	40"	CHANNEL 62
34	J133 602196-900	J201-R 602220-900	COAX	500295	40"	CHANNEL 63
35	J134 602196-900	J201-S 602220-900	COAX	500295	40"	CHANNEL 64
36	J135 602196-900	J201-T 602220-900	COAX	500295	40"	CHANNEL 70
37	J136 602196-900	J201-U 602220-900	COAX	500295	40"	CHANNEL 71
38	J137 602196-900	J201-V 602220-900	COAX	500295	40"	CHANNEL 72
39	J138 602196-900	J201-W 602220-900	COAX	500295	40"	CHANNEL 73
40	J139 602196-900	J201-X 602220-900	COAX	500295	40"	CHANNEL 74
DOCUMENT TITLE			SIZE	CODE NO.	DOCUMENT NO.	REV
HARNESS ASSEMBLY, 1260-50C, TTI			A	21793	407290	C
			DRN	SHEET 6 of 6		



ENGINEERING PARTS LIST

ITEM	REV	PART NO.	DESCRIPTION	QTY	REFERENCE
1		602220-020	CON-CXL-PLG020C.	4	J200-J203
2		602220-900	CON-CXL-PLG0001C.	80	W/J200-J203
3		611376	JACKSCREW, SHORT TURN, GMCT	4	W/J200-J203
4		500295	CACX-SHD-01C26G-1STR-50 OHM	A/R	
5		602196-900	CONTACT,CXL,MINI,TTI	80	J100-J179
6		610777	TIE-CA-LKG-.062-.075	A/R	
7		GRP-110-3/4	SLEEVING,BRAIDED POLY,314	A/R	
8		GRP-110-1/2	SLEEVING,BRAIDED POLY,1/2	A/R	

DOCUMENT TITLE		SIZE	CODE NO.	DOCUMENT NO.	REV
HARNESS ASSEMBLY, 1260-50D, TTI		A	21793	407290-002	B
DRN				SHEET 2 of 10	

ENGINEERING WIRE LIST

WIRE	FROM	TO	TYPE	PART #	WIRE LEN	REFERENCE
	BLK AAx PN 01 (J100)	Uxx-SLOT yy (J200)	CABLE	407290-002		SYSTEM WIRE LIST
	BLK AAx PN 02 (J101)	Uxx-SLOT yy (J200)	CABLE	407290-002		
	BLK AAx PN 03 (J102)	Uxx-SLOT yy (J200)	CABLE	407290-002		
	BLK AAx PN 04 (J103)	Uxx-SLOT yy (J200)	CABLE	407290-002		
	BLK AAx PN 0s (J104)	Uxx-SLOT yy (J200)	CABLE	407290-002		
	BLK AAx PN 06 (J105)	Uxx-SLOT yy (J200)	CABLE	407290-002		
	BLK AAx PN 07 (J106)	Uxx-SLOT yy (J200)	CABLE	407290-002		
	BLK AAx PN 08 (J107)	Uxx-SLOT yy (J200)	CABLE	407290-002		
	BLK AAx PN 09 (J108)	Uxx-SLOT yy (J200)	CABLE	407290-002		
	BLK AAx PN 10 (J109)	Uxx-SLOT yy (J200)	CABLE	407290-002		
	BLK AAx PN 11 (J100)	Uxx-SLOT yy (J200)	CABLE	407290-002		
	BLK AAx PN 12 (J111)	Uxx-SLOT yy (J200)	CABLE	407290-002		
	BLK AAx PN 13 (J112)	Uxx-SLOT yy (J200)	CABLE	407290-002		
	BLK AAx PN 14 (J113)	Uxx-SLOT yy (J200)	CABLE	407290-002		
	BLK AAx PN 15 (J114)	Uxx-SLOT yy (J200)	CABLE	407290-002		
	BLK AAx PN 16 (J115)	Uxx-SLOT yy (J200)	CABLE	407290-002		
	BLK AAx PN 17 (J116)	Uxx-SLOT yy (J200)	CABLE	407290-002		
	BLK AAx PN 18 (J117)	Uxx-SLOT yy (J200)	CABLE	407290-002		
	BLK AAx PN 19 (J118)	Uxx-SLOT yy (J200)	CABLE	407290-002		
	BLK AAx PN 20 (J119)	Uxx-SLOT yy (J200)	CABLE	407290-002		
	BLK AAx PN 21 (J120)	Uxx-SLOT yy (J201)	CABLE	407290-002		
	BLK AAx PN 22 (J121)	Uxx-SLOT yy (J201)	CABLE	407290-002		
	BLK AAx PN 23 (J122)	Uxx-SLOT yy (J201)	CABLE	407290-002		
	BLK AAx PN 24 (J123)	Uxx-SLOT yy (J201)	CABLE	407290-002		
	BLK AAx PN 25 (J124)	Uxx-SLOT yy (J201)	CABLE	407290-002		
DOCUMENT TITLE						
HARNESS ASSEMBLY, 1260-50D, TTI			SIZE	CODE NO.	DOCUMENT NO.	REV
			A	21793	407290-002	B
DRN					SHEET 3 of 10	

ENGINEERING WIRE LIST

WIRE	FROM	TO	TYPE	PART #	WIRE LEN	REFERENCE
	BLK AAx PN 26 (J125)	Uxx-SLOT yy (J201)	CABLE	407290-002		
	BLK AAx PN 27 (J126)	Uxx-SLOT yy (J201)	CABLE	407290-002		
	BLK AAx PN 28 (J127)	Uxx-SLOT yy (J201)	CABLE	407290-002		
	BLK AAx PN 29 (J128)	Uxx-SLOT yy (J201)	CABLE	407290-002		
	BLK AAx PN 30 (J129)	Uxx-SLOT yy (J201)	CABLE	407290-002		
	BLK AAx PN 31 (J130)	Uxx-SLOT yy (J201)	CABLE	407290-002		
	BLK AAx PN 32 (J131)	Uxx-SLOT yy (J201)	CABLE	407290-002		
	BLK AAx PN 33 (J132)	Uxx-SLOT yy (J201)	CABLE	407290-002		
	BLK AAx PN 34 (J133)	Uxx-SLOT yy (J201)	CABLE	407290-002		
	BLK AAx PN 35 (J134)	Uxx-SLOT yy (J201)	CABLE	407290-002		
	BLK AAx PN 36 (J135)	Uxx-SLOT yy (J201)	CABLE	407290-002		
	BLK AAx PN 37 (J136)	Uxx-SLOT yy (J201)	CABLE	407290-002		
	BLK AAx PN 38 (J137)	Uxx-SLOT yy (J201)	CABLE	407290-002		
	BLK AAx PN 39 (J138)	Uxx-SLOT yy (J201)	CABLE	407290-002		
	BLK AAx PN 40 (J139)	Uxx-SLOT yy (J201)	CABLE	407290-002		
	BLK AAx PN 41 (J140)	Uxx-SLOT yy (J202)	CABLE	407290-002		
	BLK AAx PN 42 (J141)	Uxx-SLOT yy (J202)	CABLE	407290-002		
	BLK AAx PN 43 (J142)	Uxx-SLOT yy (J202)	CABLE	407290-002		
	BLK AAx PN 44 (J143)	Uxx-SLOT yy (J202)	CABLE	407290-002		
	BLK AAx PN 45 (J144)	Uxx-SLOT yy (J202)	CABLE	407290-002		
	BLK AAx PN46 (J145)	Uxx-SLOT yy (J202)	CABLE	407290-002		
	BLK AAx PN 47 (J146)	Uxx-SLOT yy (J202)	CABLE	407290-002		
	BLK AAx PN 48 (J147)	Uxx-SLOT yy (J202)	CABLE	407290-002		
	BLK AAx PN 49 (J148)	Uxx-SLOT yy (J202)	CABLE	407290-002		
	BLK AAx PN 50 (J149)	Uxx-SLOT yy (J202)	CABLE	407290-002		
DOCUMENT TITLE			SIZE	CODE NO.	DOCUMENT NO.	REV
HARNESS ASSEMBLY, 1260-50D, TTI			A	21793	407290-002	B
			DRN		SHEET 4 of 10	

ENGINEERING WIRE LIST

WIRE	FROM	TO	TYPE	PART #	WIRE LEN	REFERENCE
	BLK AAx PN 51 (J150)	Uxx-SLOT yy (J202)	CABLE	407290-002		
	BLK AAx PN 52 (J151)	Uxx-SLOT yy (J202)	CABLE	407290-002		
	BLK AAx PN 53 (J152)	Uxx-SLOT yy (J202)	CABLE	407290-002		
	BLK AAx PN 54 (J153)	Uxx-SLOT yy (J202)	CABLE	407290-002		
	BLK AAx PN 55 (J154)	Uxx-SLOT yy (J202)	CABLE	407290-002		
	BLK AAx PN 56 (J155)	Uxx-SLOT yy (J202)	CABLE	407290-002		
	BLK AAx PN 57 (J156)	Uxx-SLOT yy (J202)	CABLE	407290-002		
	BLK AAx PN 58 (J157)	Uxx-SLOT yy (J202)	CABLE	407290-002		
	BLK AAx PN 59 (J158)	Uxx-SLOT yy (J202)	CABLE	407290-002		
	BLK AAx PN 60 (J159)	Uxx-SLOT yy (J202)	CABLE	407290-002		
	BLK AAx PN 61 (J160)	Uxx-SLOT yy (J203)	CABLE	407290-002		
	BLK AAx PN 62 (J161)	Uxx-SLOT yy (J203)	CABLE	407290-002		
	BLK AAx PN 63 (J162)	Uxx-SLOT (J203)	CABLE	407290-002		
	BLK AAx PN 64 (J163)	Uxx-SLOT yy (J203)	CABLE	407290-002		
	BLK AAx PN 65 (J164)	Uxx-SLOT yy (J203)	CABLE	407290-002		
	BLK AAx PN 66 (J165)	Uxx-SLOT yy (J203)	CABLE	407290-002		
	BLK AAx PN 67 (J166)	Uxx-SLOT yy (J203)	CABLE	407290-002		
	BLK AAx PN 68 (J167)	Uxx-SLOT yy (J203)	CABLE	407290-002		
	BLK AAx PN 69 (J168)	Uxx-SLOT yy (J203)	CABLE	407290-002		
	BLK AAx PN 70 (J169)	Uxx-SLOT yy (J203)	CABLE	407290-002		
	BLK AAx PN 71 (J170)	Uxx-SLOT yy (J203)	CABLE	407290-002		
	BLK AAx PN 72 (J171)	Uxx-SLOT yy (J203)	CABLE	407290-002		
	BLK AAx PN 73 (J172)	Uxx-SLOT yy (J203)	CABLE	407290-002		
	BLK AAx PN 74 (J173)	Uxx-SLOT yy (J203)	CABLE	407290-002		
	BLK AAx PN 75 (J174)	Uxx-SLOT yy (J203)	CABLE	407290-002		
DOCUMENT TITLE			SIZE	CODE NO.	DOCUMENT NO.	REV
HARNES ASSEMBLY, 1260-50D, TTI			A	21793	407290-002	B
			DRN		SHEET 5 of 10	

ENGINEERING WIRE LIST

WIRE	FROM	TO	TYPE	PART #	WIRE LEN	REFERENCE
	BLK AAx PN 76 (J175)	Uxx-SLOT yy (J203)	CABLE	407290-002		
	BLK AAx PN 77 (J176)	Uxx-SLOT yy (J203)	CABLE	407290-002		
	BLK AAx PN 78 (J177)	Uxx-SLOT yy (J203)	CABLE	407290-002		
	BLK AAx PN 79 (J178)	Uxx-SLOT yy (J203)	CABLE	407290-002		
	BLK AAx PN 80 (J179)	Uxx-SLOT yy (J203)	CABLE	407290-002		

This system wirelist serves as a template for incorporating this harness assembly into the overall system wirelist. It does not in any way affect the fabrication of this harness assembly.

DOCUMENT TITLE	SIZE	CODE NO.	DOCUMENT NO.	REV
HARNESS ASSEMBLY, 1260-50D, TTI	A	21793	407290-002	B
	DRN		SHEET 6 of 10	

ENGINEERING WIRE LIST

WIRE	FROM	TO	TYPE	PART #	WIRE LEN	REFERENCE
1	J100 602196-900	J200-A 602220-900	COAX	500295	40"	CHANNEL 00
2	J101 602196-900	J200-B 602220-900	COAX	500295	40"	CHANNEL 01
3	J102 602196-900	J200-C 602220-900	COAX	500295	40"	CHANNEL 02
4	J103 602196-900	J200-D 602220-900	COAX	500295	40"	CHANNEL 03
5	J104 602196-900	J200-E 602220-900	COAX	500295	40"	CHANNEL 04
6	J105 602196-900	J200-F 602220-900	COAX	500295	40"	CHANNEL 10
7	J106 602196-900	J200-H 602220-900	COAX	500295	40"	CHANNEL 11
8	J107 602196-900	J200-3 602220-900	COAX	500295	40"	CHANNEL 12
9	J108 602196-900	J200-K 602220-900	COAX	500295	40"	CHANNEL 13
10	J109 602196-900	J200-L 602220-900	COAX	500295	40"	CHANNEL 14
11	J110 602196-900	J200-M 602220-900	COAX	500295	40"	CHANNEL 20
12	J111 602196-900	J200-N 602220-900	COAX	500295	40"	CHANNEL 21
13	J112 602196-900	J200-P 602220-900	COAX	500295	40"	CHANNEL 22
14	J113 602196-900	J200-R 602220-900	COAX	500295	40"	CHANNEL 23
15	J114 602196-900	J200-S 602220-900	COAX	500295	40"	CHANNEL 24
16	J115 602196-900	J200-T 602220-900	COAX	500295	40"	CHANNEL 30
17	J116 602196-900	J200-U 602220-900	COAX	500295	40"	CHANNEL 31
18	J117 602196-900	J200-V 602220-900	COAX	500295	40"	CHANNEL 32
19	J118 602196-900	J200-W 602220-900	COAX	500295	40"	CHANNEL 33
20	J119 602196-900	J200-X 602220-900	COAX	500295	40"	CHANNEL 34
21	J120 602196-900	J201-A 602220-900	COAX	500295	40"	CHANNEL 40
22	J121 602196-900	J201-B 602220-900	COAX	500295	40"	CHANNEL 41
23	J122 602196-900	J201-C 602220-900	COAX	500295	40"	CHANNEL 42
24	J123 602196-900	J201-D 602220-900	COAX	500295	40"	CHANNEL 43
25	J124 602196-900	J201-E 602220-900	COAX	500295	40"	CHANNEL 44
DOCUMENT TITLE						
HARNESS ASSEMBLY, 1260-50D, TTI			SIZE	CODE NO.	DOCUMENT NO.	REV
			A	21793	407290-002	B
DRN					SHEET 7 of 10	

ENGINEERING WIRE LIST

WIRE	FROM	TO	TYPE	PART #	WIRE LEN	REFERENCE
26	J125 602196-900	J201-F 602220-900	COAX	500295	40"	CHANNEL 50
27	J126 602196-900	J201-H 602220-900	COAX	500295	40"	CHANNEL 51
28	J127 602196-900	J201-3 602220-900	COAX	500295	40"	CHANNEL 52
29	J128 602196-900	J201-K 602220-900	COAX	500295	40"	CHANNEL 53
30	J129 602196-900	J201-L 602220-900	COAX	500295	40"	CHANNEL 54
31	J130 602196-900	J201-M 602220-900	COAX	500295	40"	CHANNEL 60
32	J131 602196-900	J201-N 602220-900	COAX	500295	40"	CHANNEL 61
33	J132 602196-900	J201-P 602220-900	COAX	500295	40"	CHANNEL 62
34	J133 602196-900	J201-R 602220-900	COAX	500295	40"	CHANNEL63
35	J134 602196-900	J201-S 602220-900	COAX	500295	40"	CHANNEL64
36	J135 602196-900	J201-T 602220-900	COAX	500295	40"	CHANNEL 70
37	J136 602196-900	J201-U 602220-900	COAX	500295	40"	CHANNEL 71
38	J137 602196-900	J201-V 602220-900	COAX	500295	40"	CHANNEL 72
39	J138 602196-900	J201-W 602220-900	COAX	500295	40"	CHANNEL 73
40	J139 602196-900	J201-X 602220-900	COAX	500295	40"	CHANNEL 74
41	J140 602196-900	J202-A 602220-900	COAX	500295	40"	CHANNEL 80
42	J141 602196-900	J202-B 602220-900	COAX	500295	40"	CHANNEL 81
43	J142 602196-900	J202-C 602220-900	COAX	500295	40"	CHANNEL 82
44	J143 602196-900	J202-D 602220-900	COAX	500295	40"	CHANNEL 83
45	J144 602196-900	J202-E 602220-900	COAX	500295	40"	CHANNEL 84
46	J145 602196-900	J202-F 602220-900	COAX	500295	40"	CHANNEL 90
47	J146 602196-900	J202-H 602220-900	COAX	500295	40"	CHANNEL 91
48	J147 602196-900	J202-3 602220-900	COAX	500295	40"	CHANNEL 92
49	J148 602196-900	J202-K 602220-900	COAX	500295	40"	CHANNEL 93
DOCUMENT TITLE						
HARNES ASSEMBLY, 1260-50D, TT1			SIZE	CODE NO.	DOCUMENT NO.	REV
			A	21793	407290-002	B
DRN					SHEET 8 of 10	

ENGINEERING WIRE LIST

WIRE	FROM	TO	TYPE	PART #	WIRE LEN	REFERENCE
50	J149 602196-900	J202-L 602220-900	COAX	500295	40"	CHANNEL 94
51	J150 602196-900	J202-M 602220-900	COAX	500295	40"	CHANNEL 100
52	J151 602196-900	J202-N 602220-900	COAX	500295	40"	CHANNEL 101
53	J152 602196-900	J202-P 602220-900	COAX	500295	40"	CHANNEL 102
54	J153 602196-900	J202-R 602220-900	COAX	500295	40"	CHANNEL 103
55	J154 602196-900	J202-S 602220-900	COAX	500295	40"	CHANNEL 104
56	J155 602196-900	J202-T 602220-900	COAX	500295	40"	CHANNEL 110
57	J156 602196-900	J202-U 602220-900	COAX	500295	40"	CHANNEL 111
58	J157 602196-900	J202-V 602220-900	COAX	500295	40"	CHANNEL 112
59	J158 602196-900	J202-W 602220-900	COAX	500295	40"	CHANNEL 113
60	J159 602196-900	J202-X 602220-900	COAX	500295	40"	CHANNEL 114
61	J160 602196-900	J203-A 602220-900	COAX	500295	40"	CHANNEL 120
62	J161 602196-900	J203-B 602220-900	COAX	500295	40"	CHANNEL 121
63	J162 602196-900	J203-C 602220-900	COAX	500295	40"	CHANNEL 122
64	J163 602196-900	J203-D 602220-900	COAX	500295	40"	CHANNEL 123
65	J164 602196-900	J203-E 602220-900	COAX	500295	40"	CHANNEL 124
66	J165 602196-900	J203-F 602220-900	COAX	500295	40"	CHANNEL 130
67	J166 602196-900	J203-H 602220-900	COAX	500295	40"	CHANNEL 131
68	J167 602196-900	J203-3 602220-900	COAX	500295	40"	CHANNEL 132
69	J168 602196-900	J203-K 602220-900	COAX	500295	40"	CHANNEL 133
70	J169 602196-900	J203-L 602220-900	COAX	500295	40"	CHANNEL 134
71	J170 602196-900	J203-M 602220-900	COAX	500295	40"	CHANNEL 140
72	J171 602196-900	J203-N 602220-900	COAX	500295	40"	CHANNEL 141
73	J172 602196-900	J203-P 602220-900	COAX	500295	40"	CHANNEL 142
74	J173 602196-900	J203-R 602220-900	COAX	500295	40"	CHANNEL 143
DOCUMENT TITLE						
HARNESS ASSEMBLY, 1260-50D, TTI			SIZE	CODE NO.	DOCUMENT NO.	REV
			A	21793	407290-002	B
DRN					SHEET 9 of 10	

ENGINEERING WIRE LIST

WIRE	FROM	TO	TYPE	PART #	WIRE LEN	REFERENCE
75	J174 602196-900	J203-S 602220-900	COAX	500295	40"	CHANNEL 144
76	J175 602196-900	J203-T 602220-900	COAX	500295	40"	CHANNEL 150
77	J176 602196-900	J203-U 602220-900	COAX	500295	40"	CHANNEL 151
78	J177 602196-900	J203-V 602220-900	COAX	500295	40"	CHANNEL 152
79	J178 602196-900	J203-W 602220-900	COAX	500295	40"	CHANNEL 153
80	J179 602196-900	J203-X 602220-900	COAX	500295	40"	CHANNEL 154

DOCUMENT TITLE	SIZE	CODE NO.	DOCUMENT NO.	REV
HARNESS ASSEMBLY, 1260-50D, TTI	A	21793	407290-002	B
DRN			SHEET 10 of 10	

This page was left intentionally blank.